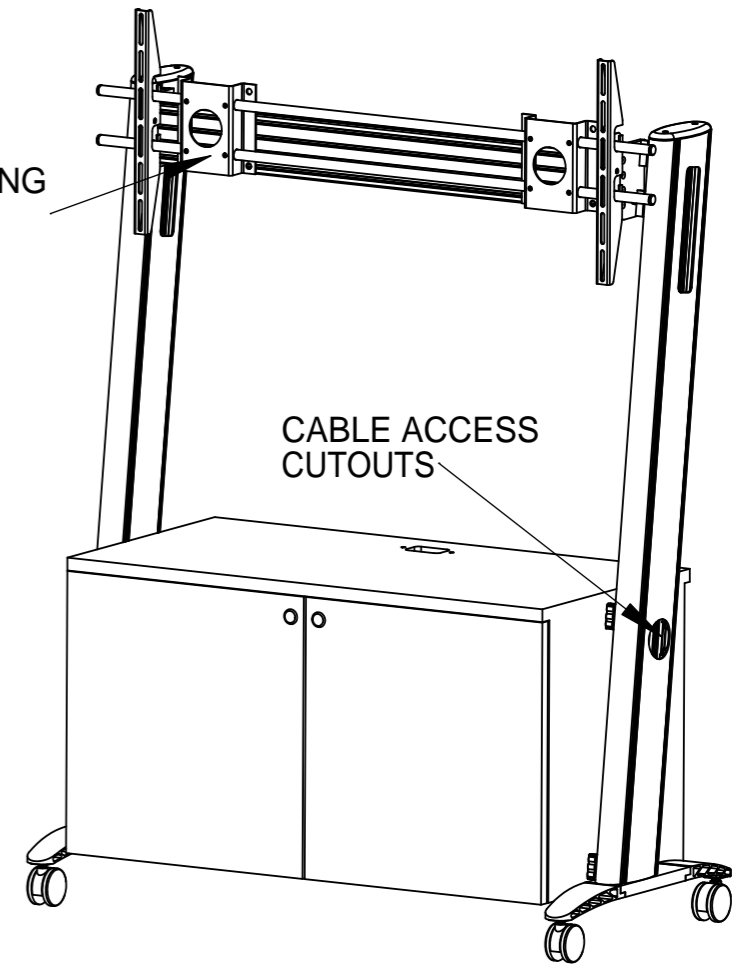
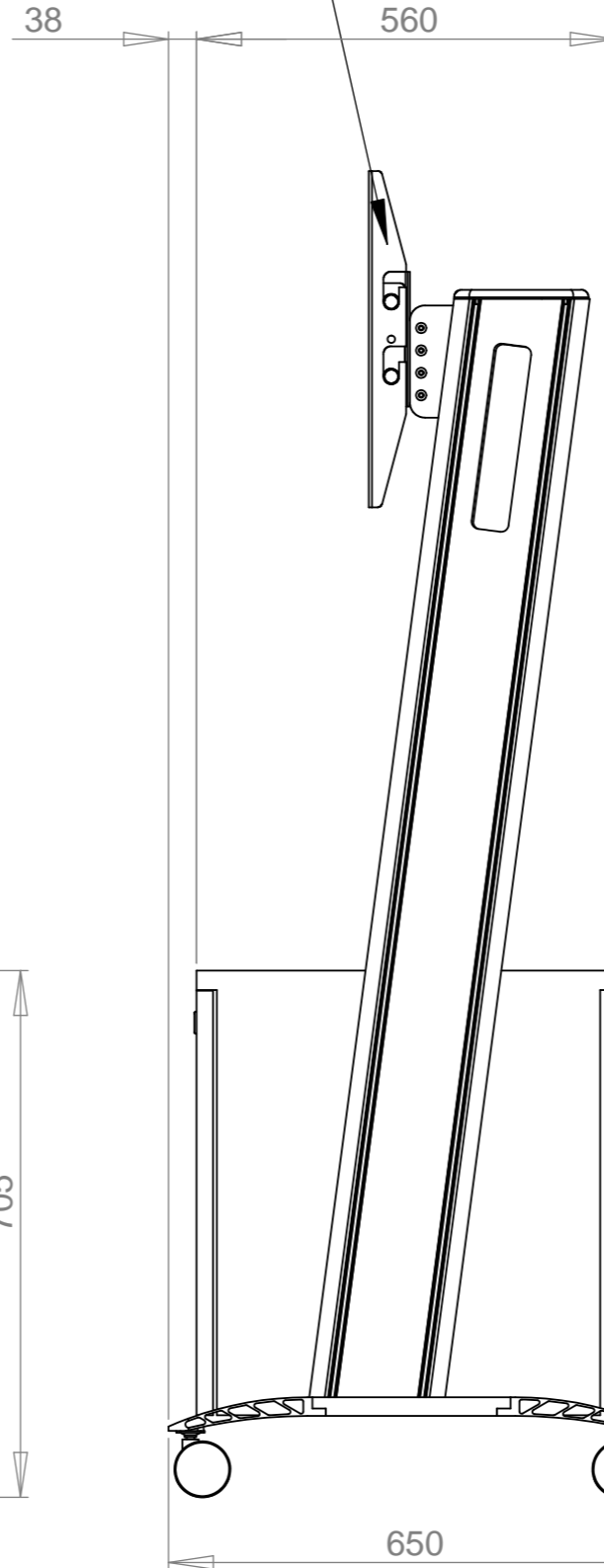


MOUNT DESIGN WILL VARY, DEPENDING  
ON SCREEN MAKE & MODEL

ANGLE IS ADJUSTABLE



CASTORS SHOWN  
LEVELLING FEET AVAILABLE

DEBUR AND BREAK SHARP EDGES		<b>Mode-AL</b> .CO.UK UNIT 4 ANAMAX IND. PARK, OXFORD ROAD, TATLING END, BUCKS SL9 7BB TEL +44 (0)1753 880824
MATERIAL:	X	
FINISH:	X	TITLE: <b>VC-01-C BUILD DIMS</b>
UNLESS OTHERWISE SPECIFIED: DIMENSIONS ARE IN MILLIMETERS TOLERANCES: LINEAR: X. ±1.0mm X.X ±0.25 mm X.XX ±0.10 mm ANGULAR: X.XX ±0.1°		DWG NO. <b>VC-01-C</b>
SCALE: 1:10		REV <b>A</b>
SHEET 1 OF 1		<b>A3</b>