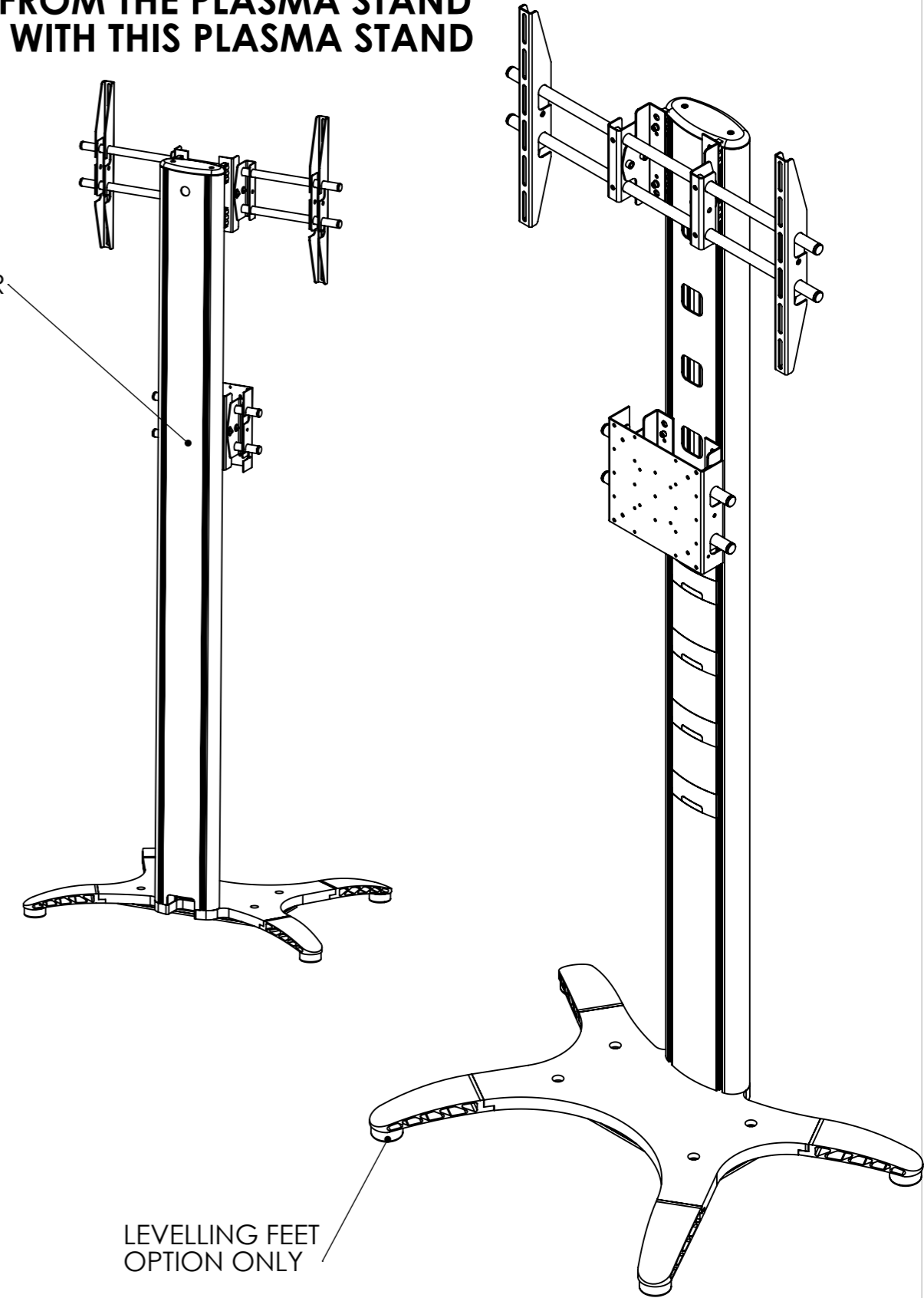
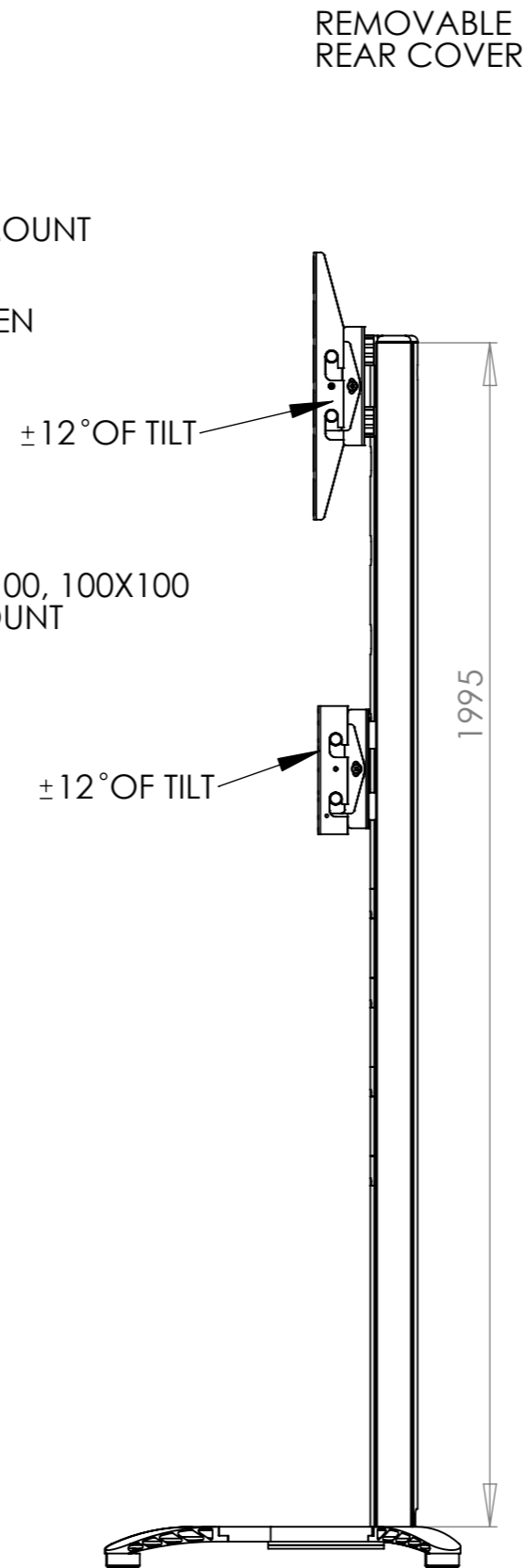
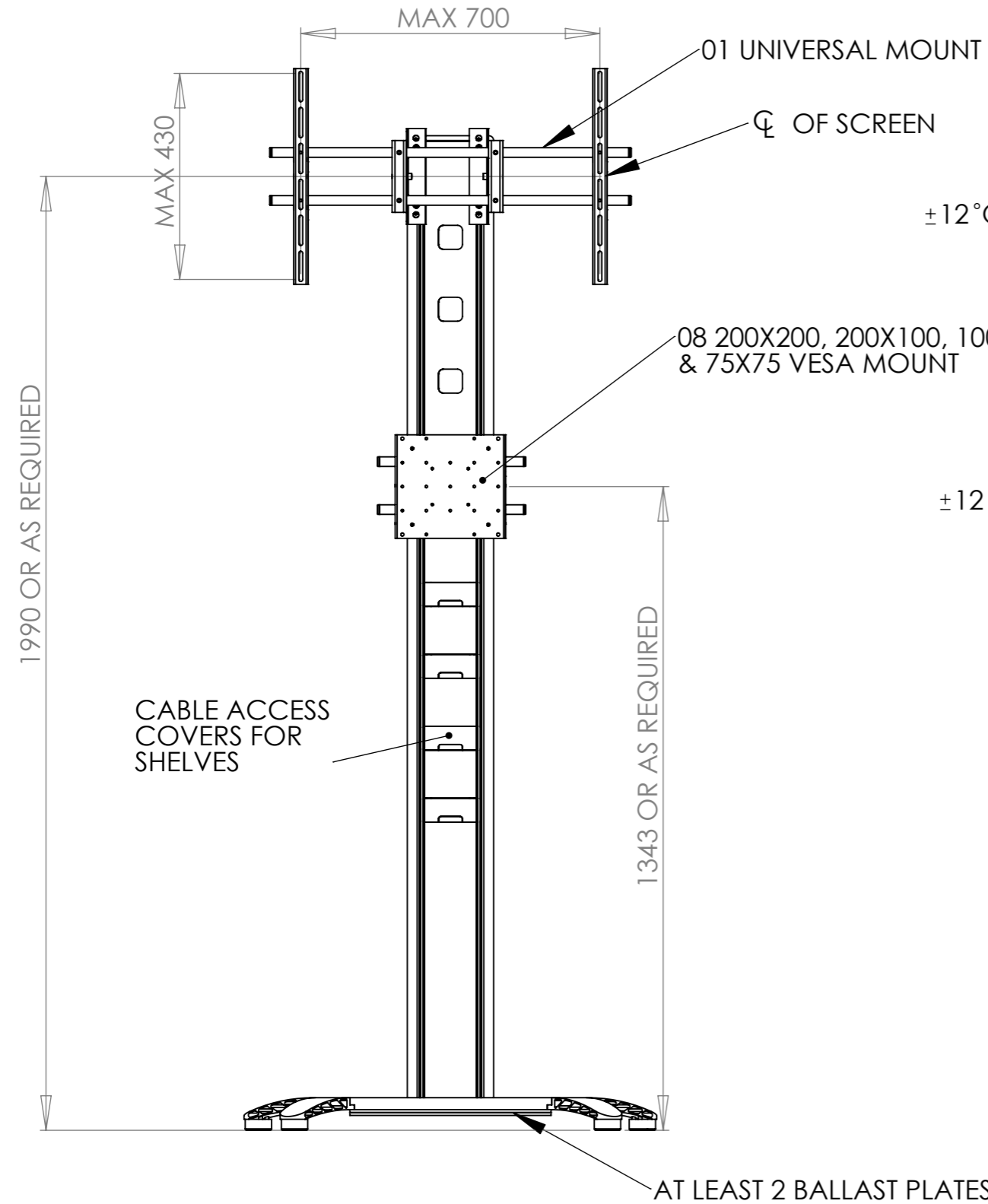
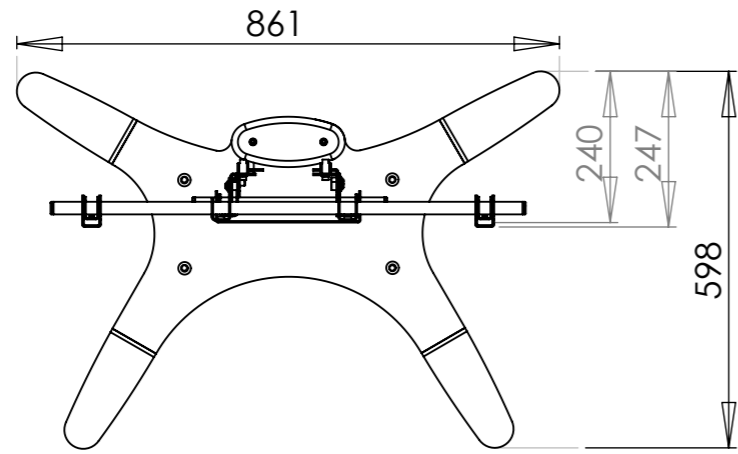


NOTE: ALL ACCESSORIES FROM THE PLASMA STAND RANGE ARE COMPATIBLE WITH THIS PLASMA STAND



DEBUR AND BREAK SHARP EDGES		Mode-AL.co.uk UNIT 4 ANAMAX IND. PARK, OXFORD ROAD,
MATERIAL:	N/A	
FINISH:	N/A	TITLE: PLASMA STAND WITH 1 UNIVERSAL & 1 HD VESA MOUNT
UNLESS OTHERWISE SPECIFIED: DIMENSIONS ARE IN MILLIMETERS TOLERANCES: LINEAR: X. ±1.0mm X.X ±0.25 mm X.XX ±0.10 mm ANGULAR: X.XX ±0.1°		DWG NO. PZ200024LS
SCALE: 1:10		REV A
SHEET 1 OF 1		A3