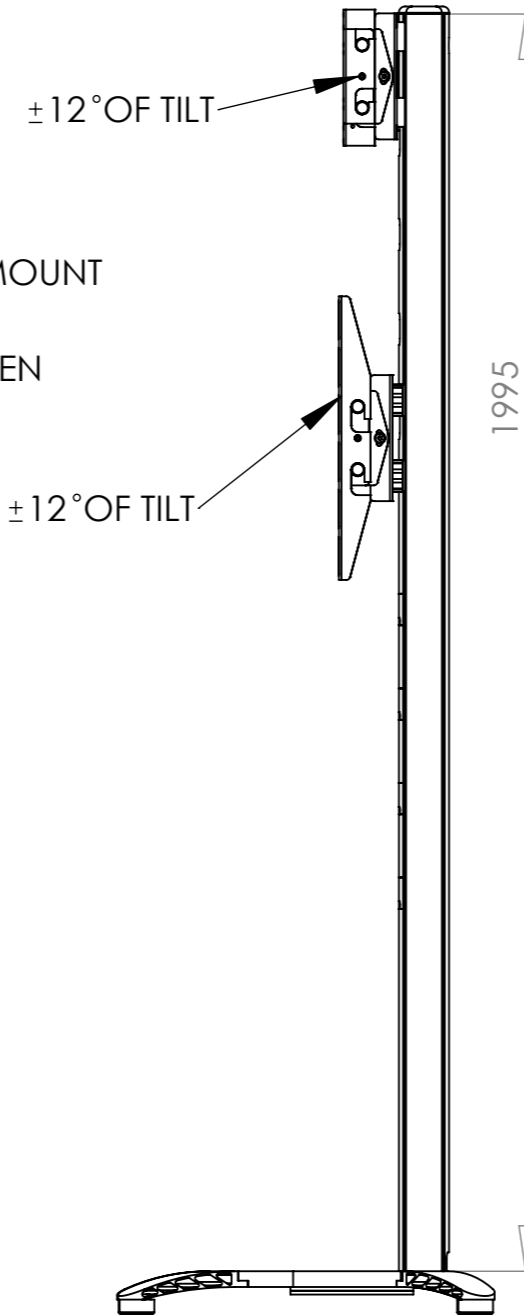
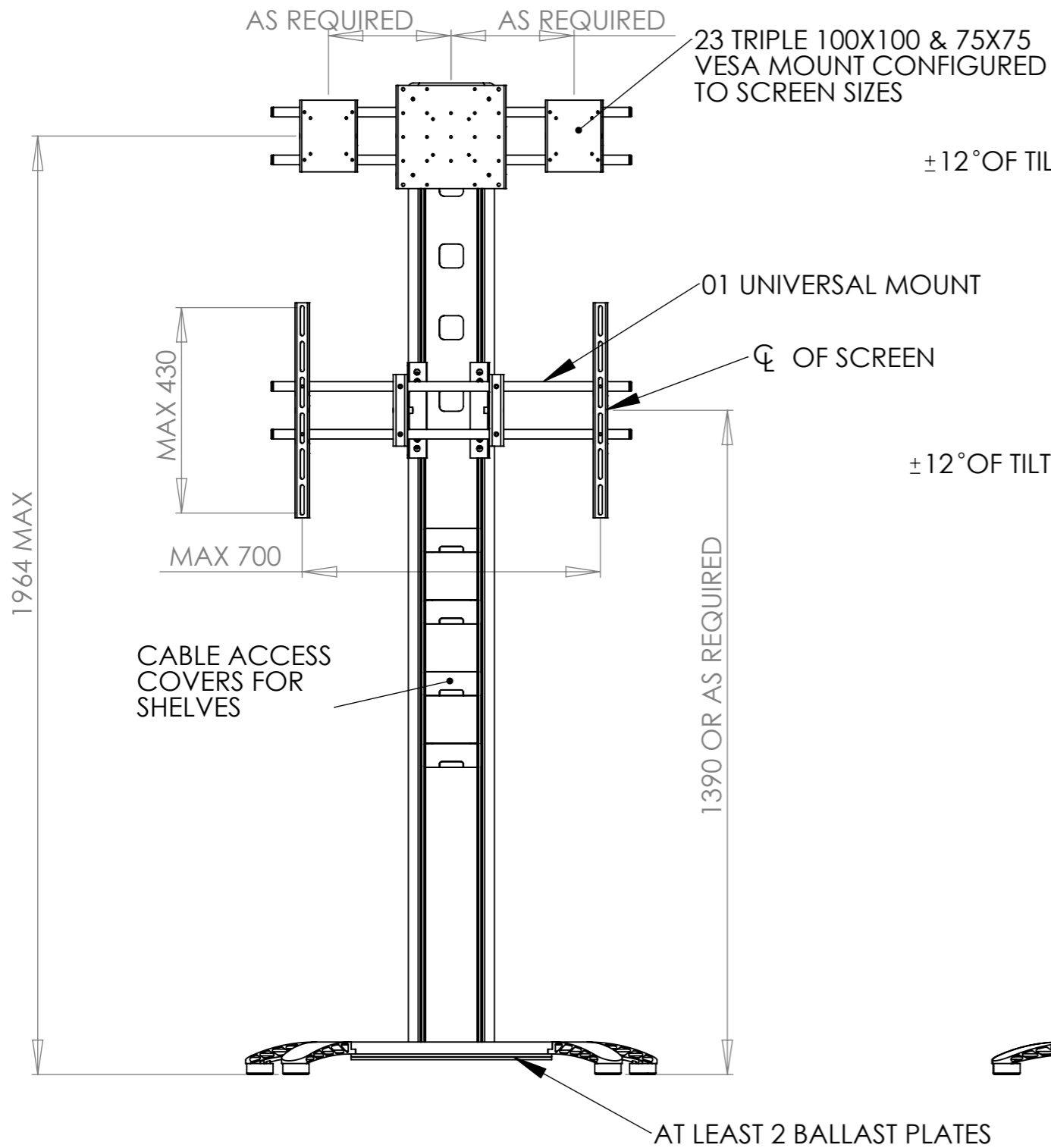
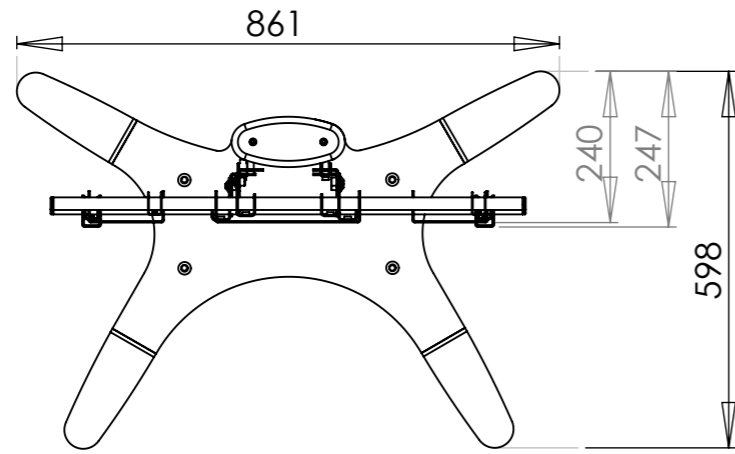
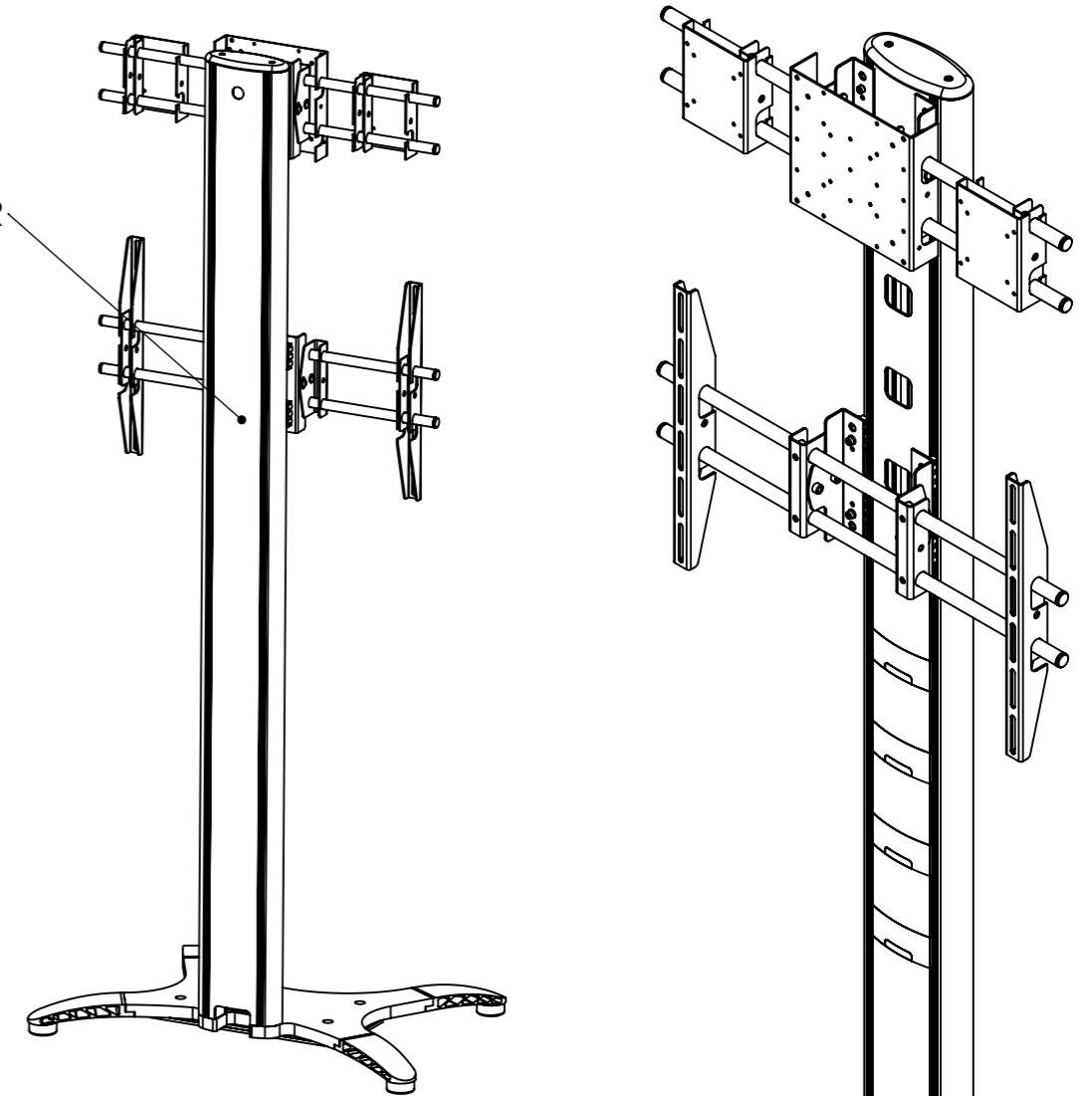


**NOTE: ALL ACCESSORIES FROM THE PLASMA STAND RANGE ARE COMPATIBLE WITH THIS PLASMA STAND**



REMOVABLE REAR COVER



LEVELLING FEET OPTION ONLY

DEBUR AND BREAK SHARP EDGES		<b>Mode-AL.co.uk</b> UNIT 4 ANAMAX IND. PARK, OXFORD ROAD,
MATERIAL:	N/A	
FINISH:	N/A	TITLE: PLASMA STAND WITH 1 UNIVERSAL & TRIPLE VESA MOUNT
UNLESS OTHERWISE SPECIFIED: DIMENSIONS ARE IN MILLIMETERS TOLERANCES: LINEAR: X. ±1.0mm X.X ±0.25 mm X.XX ±0.10 mm ANGULAR: X.XX ±0.1°		DWG NO. PZ200023LS
		REV A
SCALE: 1:10	SHEET 1 OF 1	A3