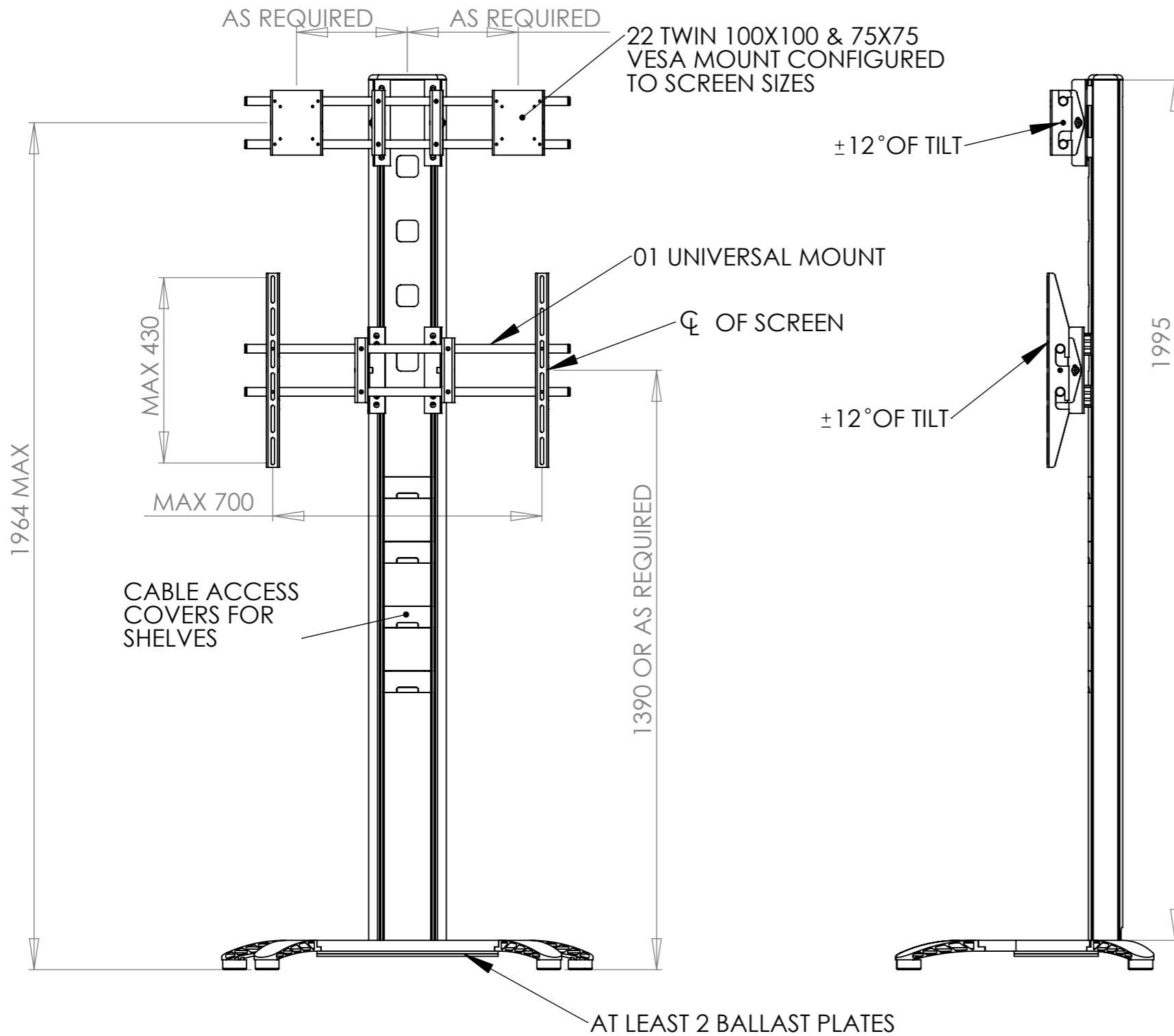
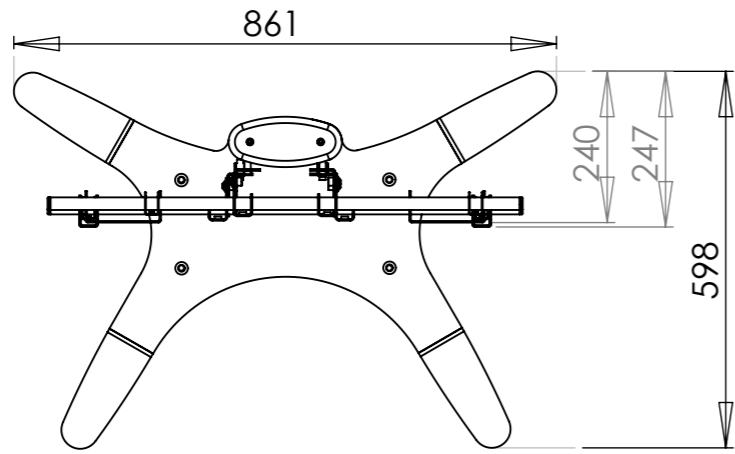
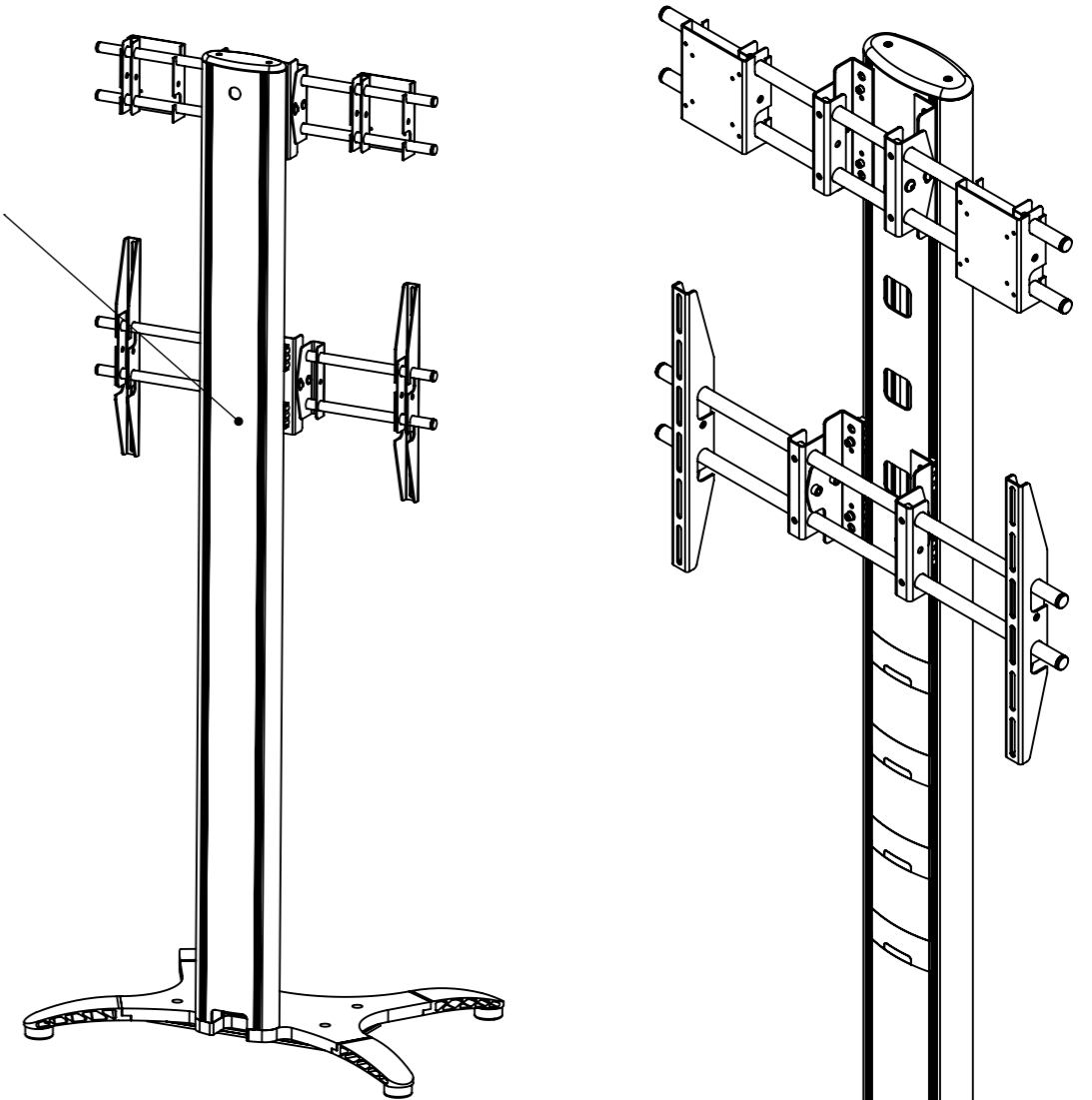


NOTE: ALL ACCESSORIES FROM THE PLASMA STAND RANGE ARE COMPATIBLE WITH THIS PLASMA STAND



REMOVABLE REAR COVER



LEVELLING FEET
OPTION ONLY

DEBUR AND BREAK SHARP EDGES		Mode-AL.co.uk UNIT 4 ANAMAX IND. PARK, OXFORD ROAD, TATLING END, BUCKS SL9 7BB TEL +44 (0)1753 880824
MATERIAL:	N/A	
FINISH:	N/A	TITLE: PLASMA STAND WITH 1 UNIVERSAL & TWIN VESA MOUNT
UNLESS OTHERWISE SPECIFIED: DIMENSIONS ARE IN MILLIMETERS TOLERANCES: LINEAR: X. ±1.0mm X.X ±0.25 mm X.XX ±0.10 mm ANGULAR: X.XX ±0.1°		DWG NO. PZ200022LS
AT LEAST 2 BALLAST PLATES		REV A
SCALE: 1:10	SHEET 1 OF 1	A3