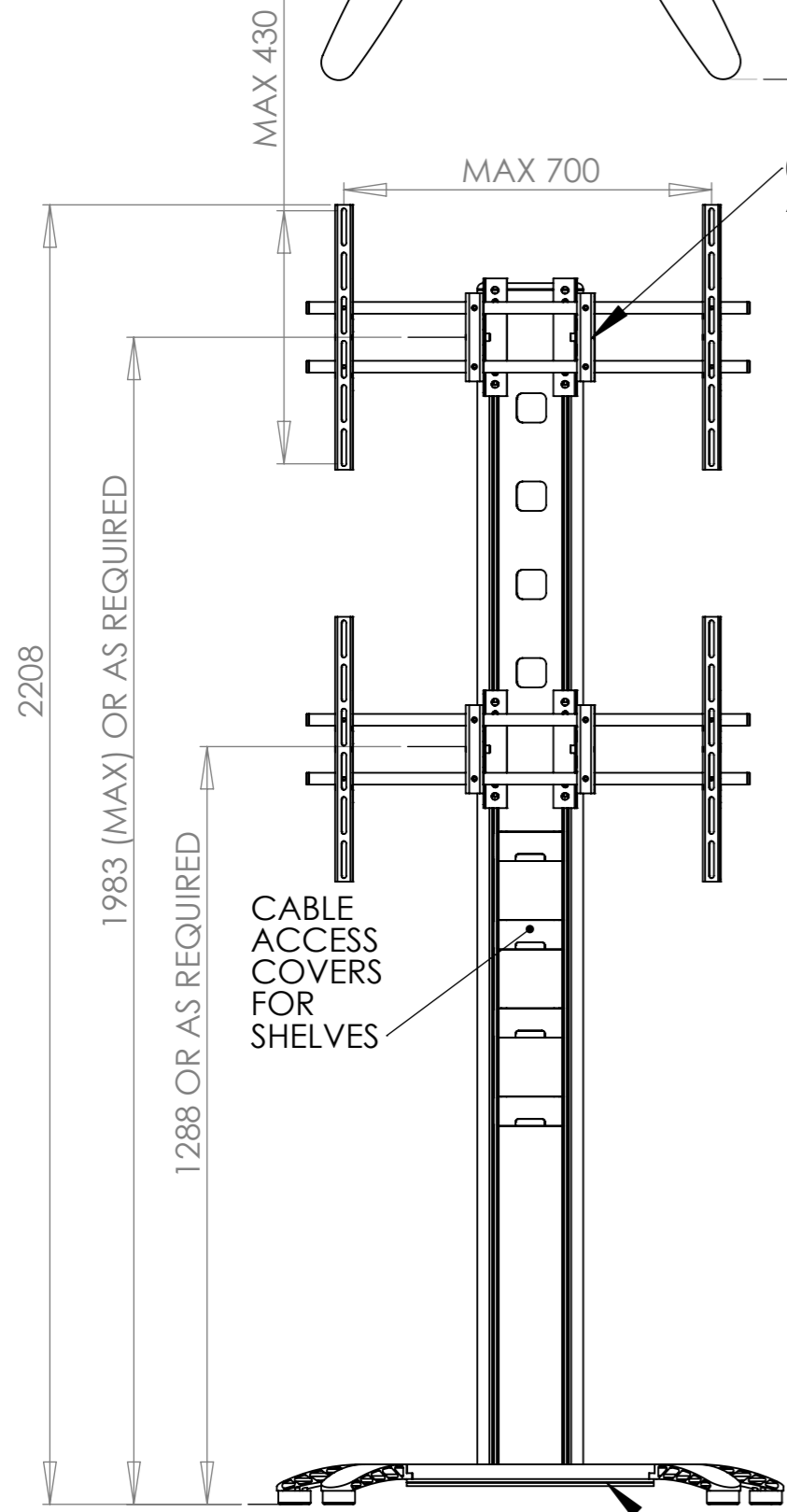
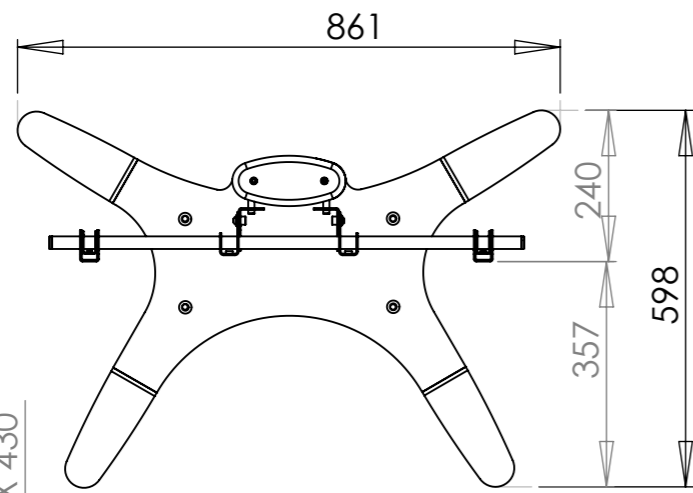


NOTE ALL ACCESSORIES FROM THE STANDARD PLASMA STAND RANGE ARE COMPATIBLE WITH THIS STAND

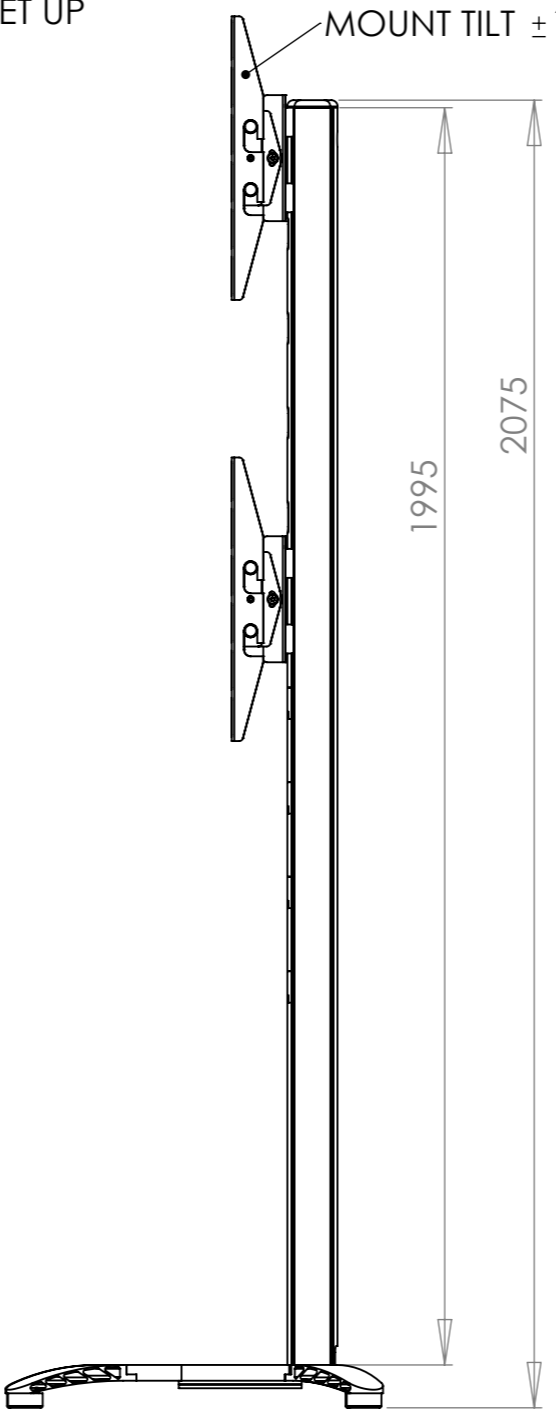
NOTE OTHER MOUNT CONFIGURATIONS AVAILABLE



01 UNIVERSAL MOUNT HEIGHT ADJUSTABLE ON SET UP

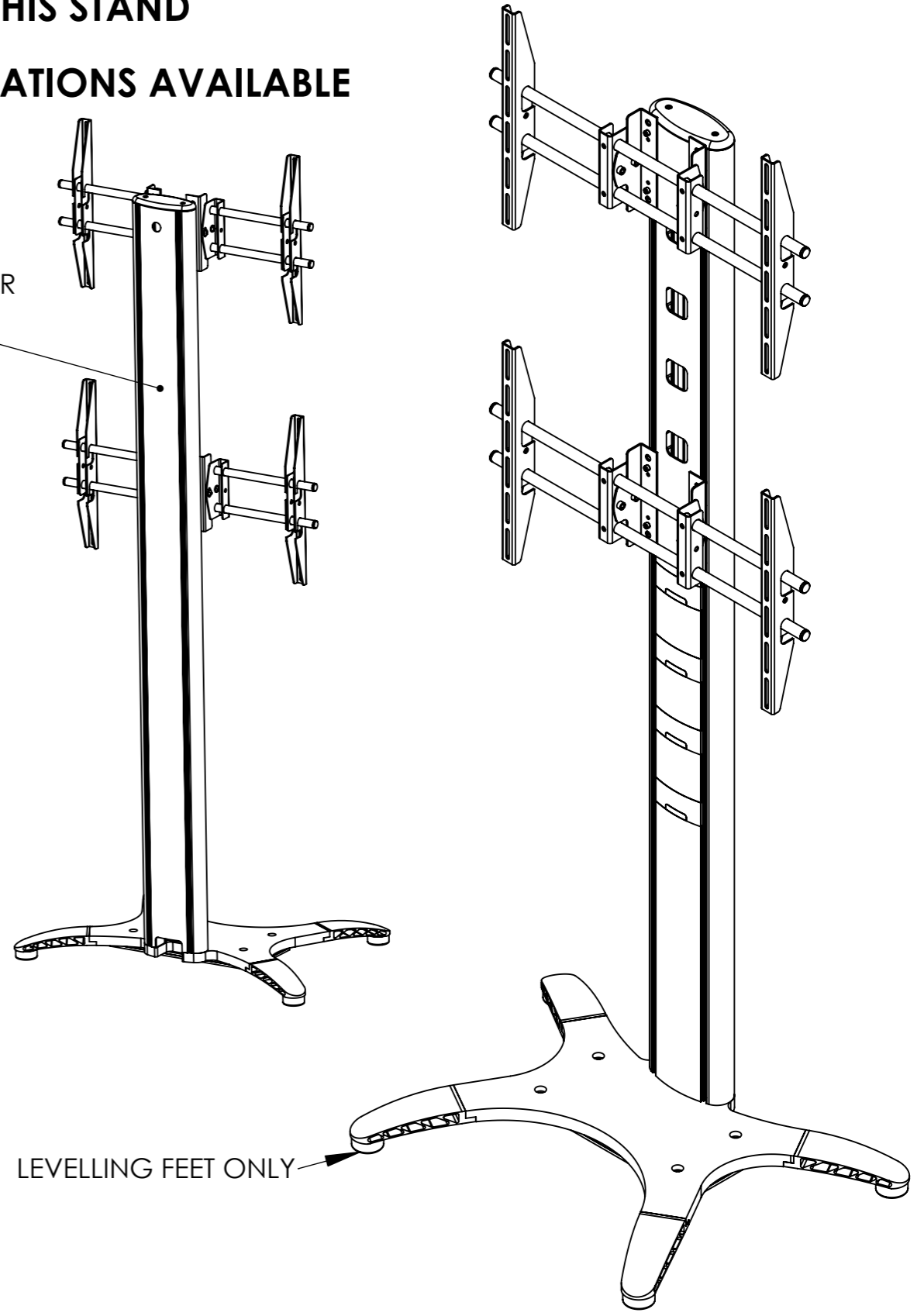
CABLE ACCESS COVERS FOR SHELVES

2 BALLAST PLATES



REMOVABLE REAR COVER

MOUNT TILT $\pm 12^\circ$



LEVELLING FEET ONLY

DEBUR AND BREAK SHARP EDGES
MATERIAL: N/A
FINISH: N/A
UNLESS OTHERWISE SPECIFIED: DIMENSIONS ARE IN MILLIMETERS TOLERANCES: LINEAR: X. ± 1.0 mm X.X ± 0.25 mm X.XX ± 0.10 mm ANGULAR: X.XX $\pm 0.1^\circ$

Mode-AL.co.uk	
UNIT 4 ANAMAX IND. PARK, OXFORD ROAD, TATLING END, BUCKS SL9 7BB TEL +44 (0)1753 880824	
TITLE: PLASMA STAND WITH TWIN UNIVERSAL	
DWG NO. PZ200021LS	REV A
SCALE: 1:10	SHEET 1 OF 1
A3	