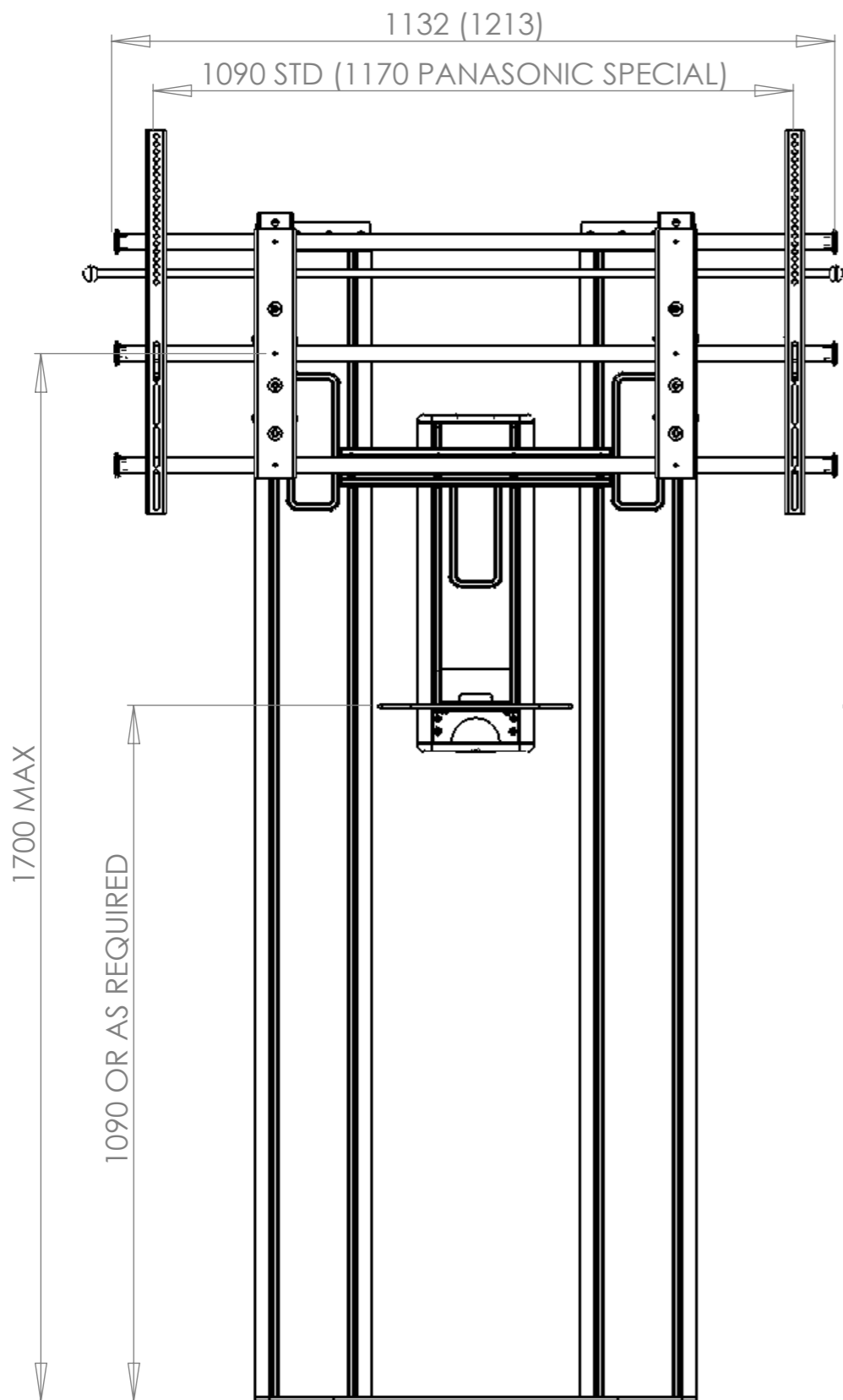
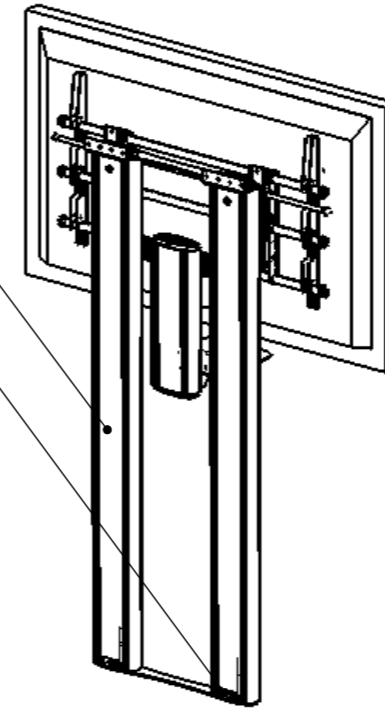


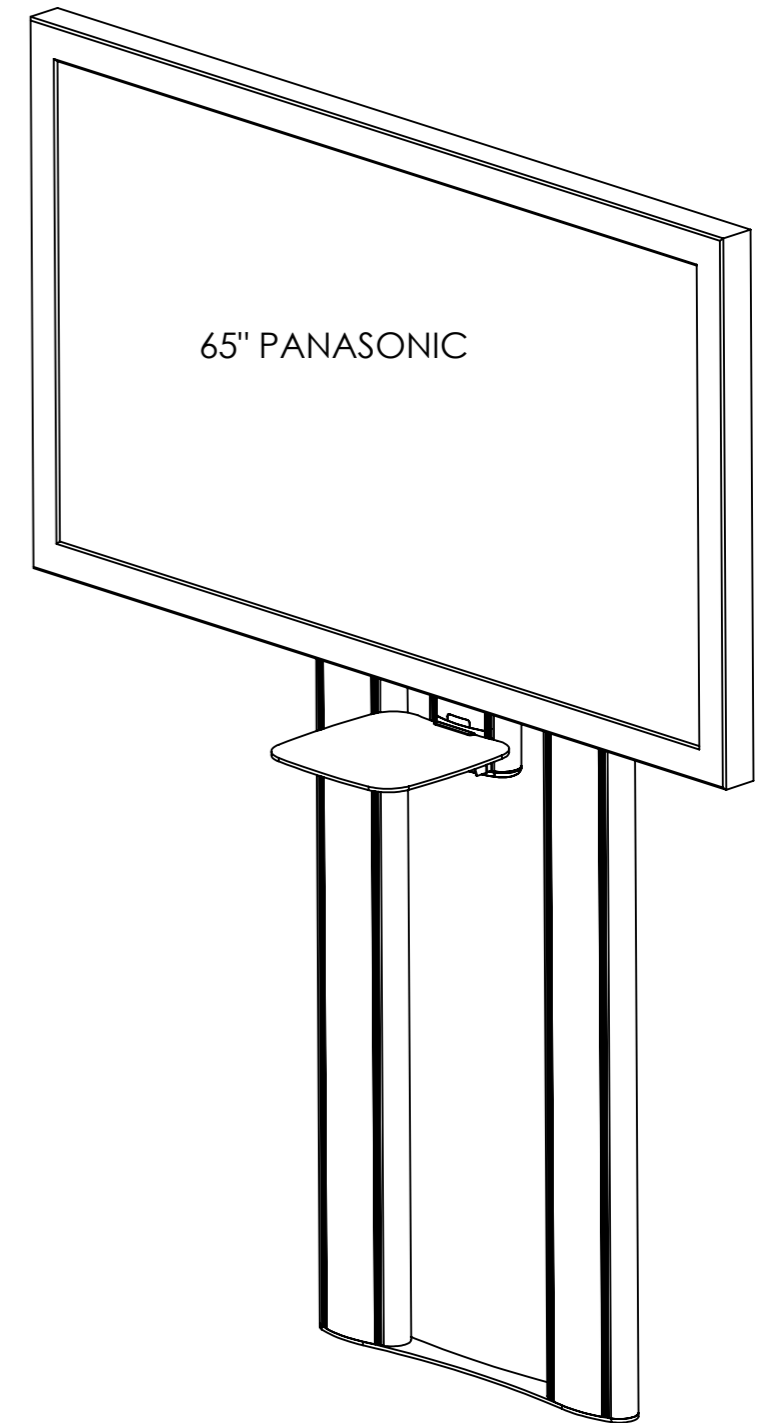
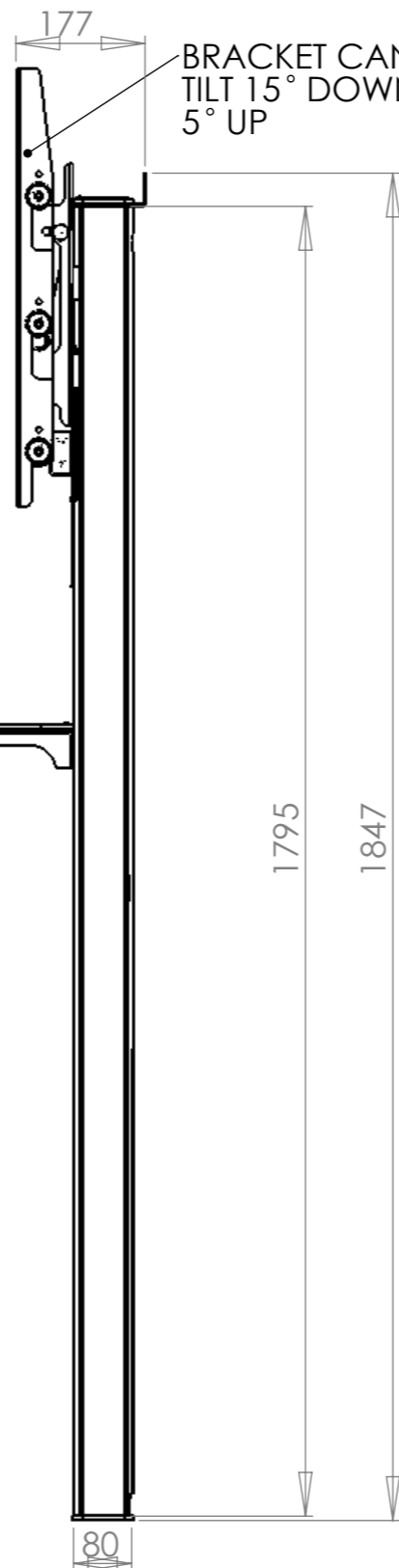
REAR COVER  
REMOVABLE FOR  
CABLE ACCESS

CABLE ACCESS  
CUT-OUT COVER  
CAN BE ROTATED  
SO CUT-OUT IS AT TOP



177

BRACKET CAN  
TILT 15° DOWN  
5° UP



DEBUR AND BREAK SHARP EDGES		<b>Mode-AL.com</b> UNIT 4 ANAMAX IND. PARK, OXFORD ROAD, TATLING END, BUCKS SL9 7BB TEL +44 (0)1753 880824
MATERIAL:	N/A	
FINISH:	ANODISED NATURAL	TITLE: TWIN FLOOR TO WALL WITH VC SHELF MOUNT BASIC DIMS
UNLESS OTHERWISE SPECIFIED: DIMENSIONS ARE IN MILLIMETERS TOLERANCES: LINEAR: X. ±1.0mm X.X ±0.25 mm X.XX ±0.10 mm ANGULAR: X.XX ±0.1°		DWG NO. PW2185728xx
		REV A
SCALE: 1:12	SHEET 1 OF 1	A3