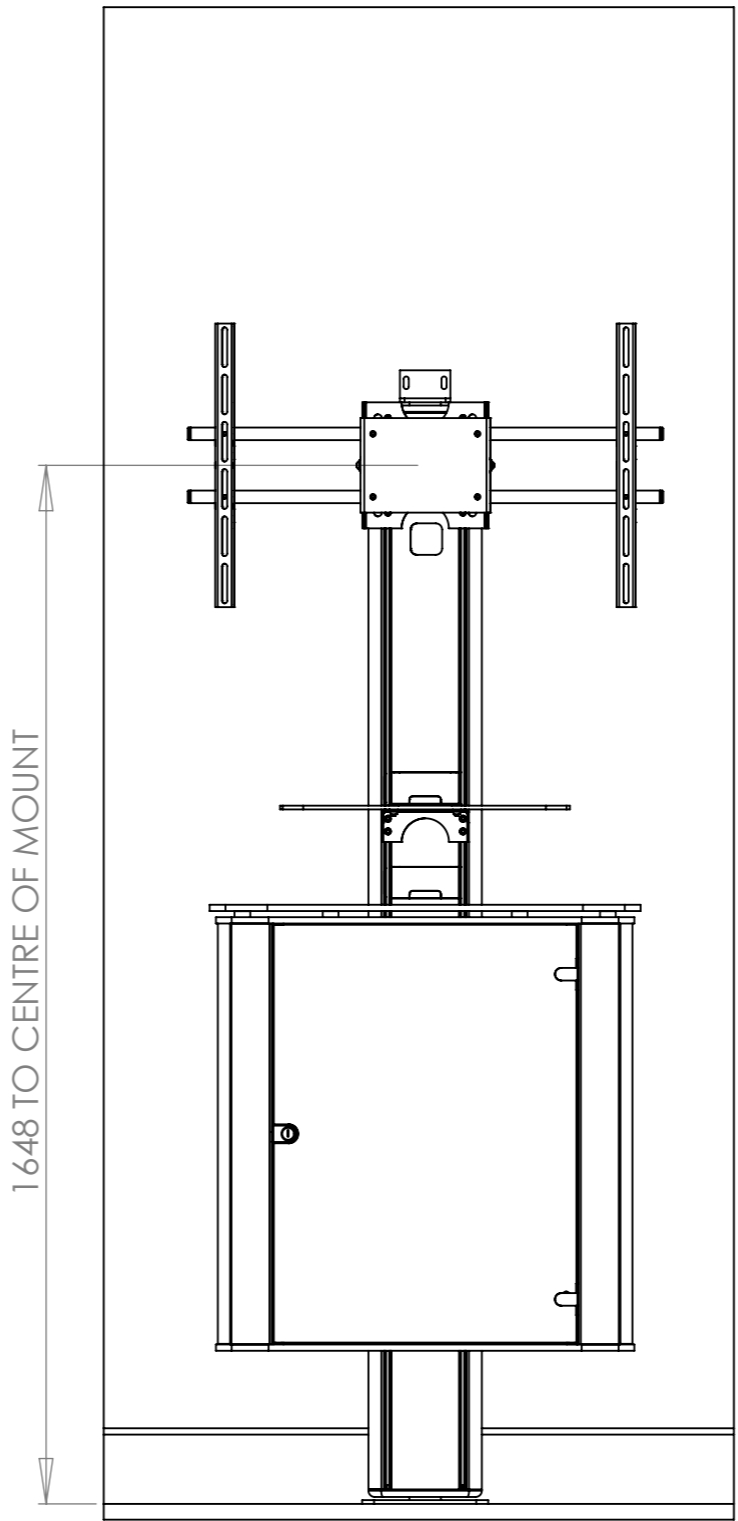
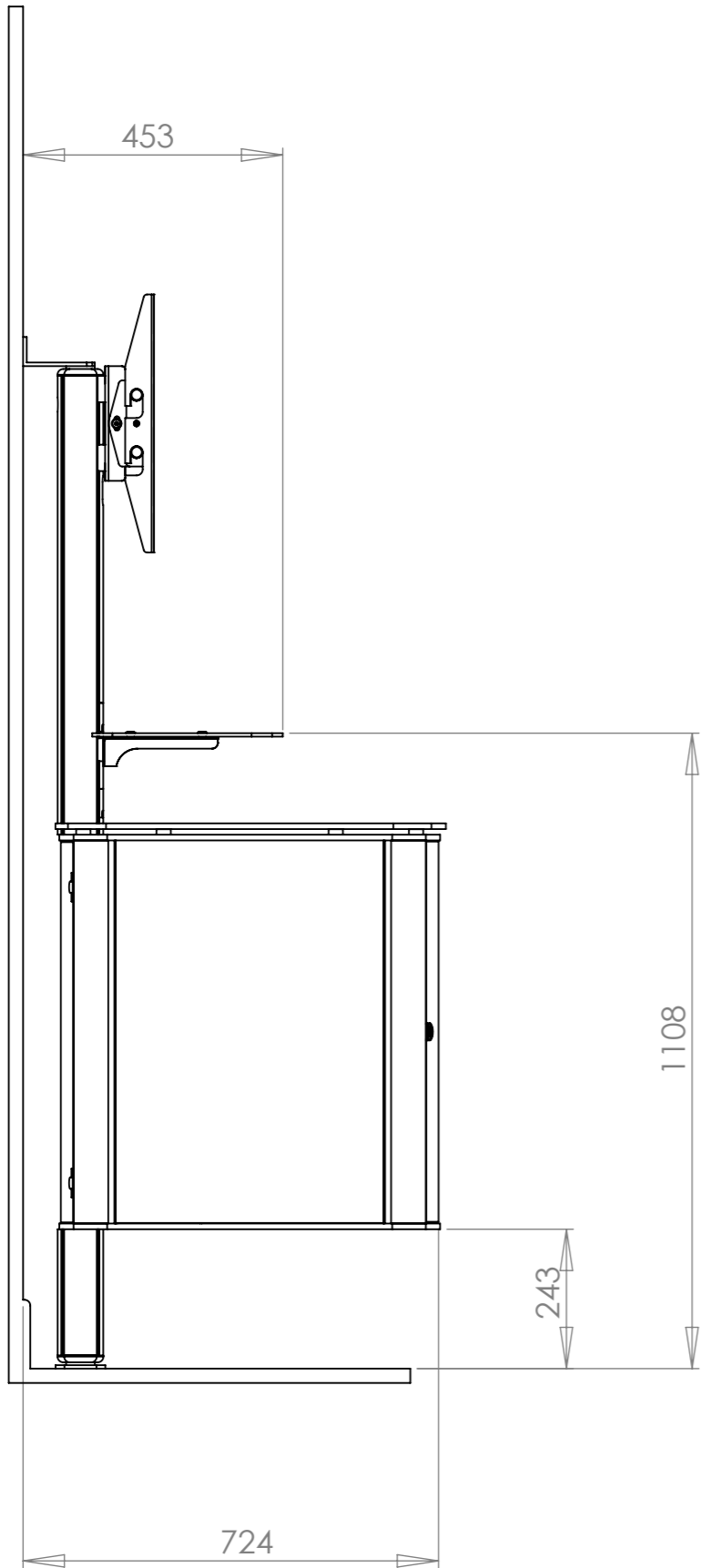
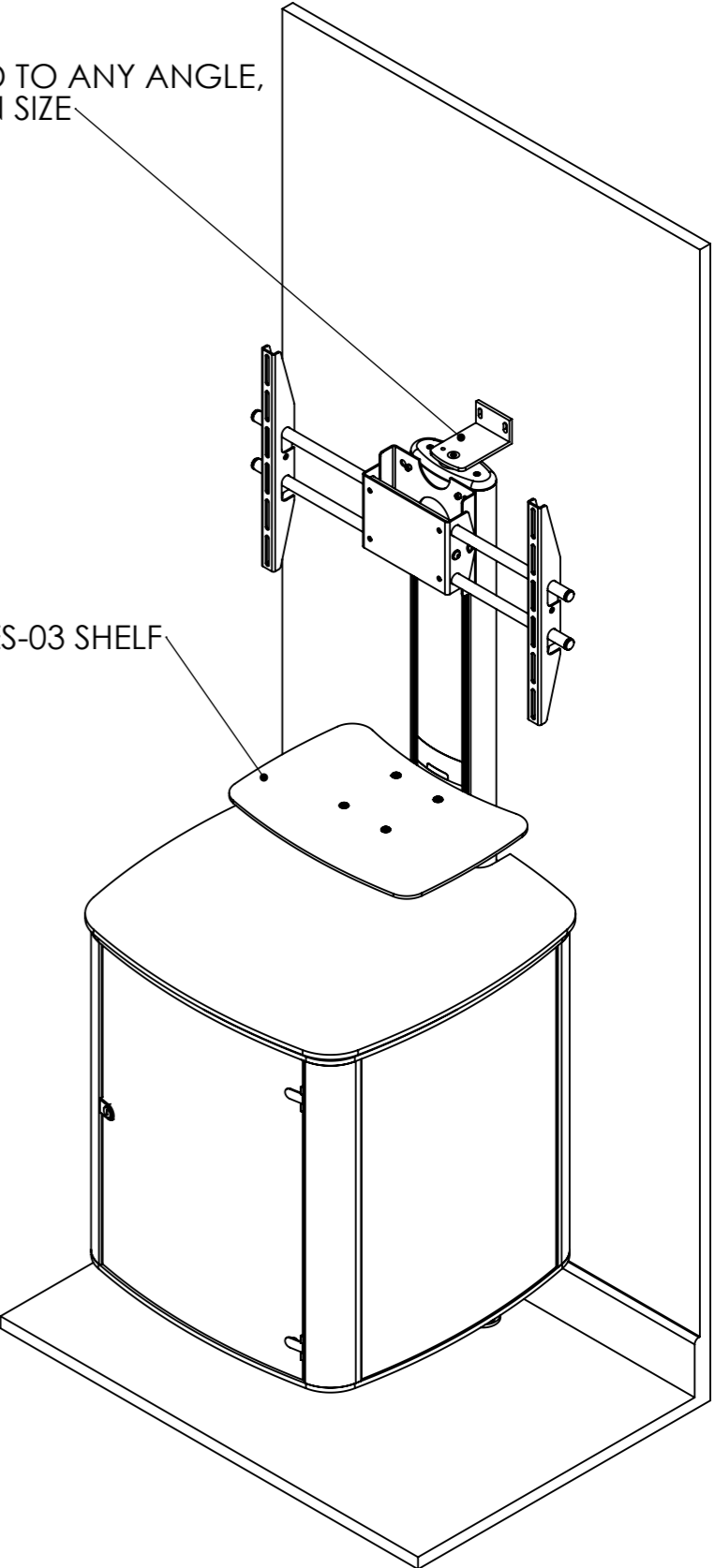


STAND CAN BE ROTATED TO ANY ANGLE,  
DEPENDANT ON SCREEN SIZE



1 x ES-03 SHELF



|  |              |  |
|--|--------------|--|
| DEBUR AND BREAK SHARP EDGES  |              | <b>Mode-AL.co.uk</b><br>UNIT 4 ANAMAX IND. PARK, OXFORD ROAD,<br>TATLING END, BUCKS SL9 7BB TEL +44 (0)1753 880824 |
| MATERIAL:<br>-   |              |  |
| FINISH:<br>-   |              | TITLE: 1.5m PLASMA EQUIP<br>WALL-FLOOR MOUNT<br>1 x ES-03 SHELF  |
| UNLESS OTHERWISE SPECIFIED:<br>DIMENSIONS ARE IN MILLIMETERS<br>TOLERANCES:<br>LINEAR: X. ±1.0mm<br>X.X ±0.25 mm<br>X.XX ±0.10 mm<br>ANGULAR: X.XX ±0.1° |              | DWG NO.<br>PW151301RX-15D  |
| SCALE: 1:1   | SHEET 1 OF 1 | A3   |