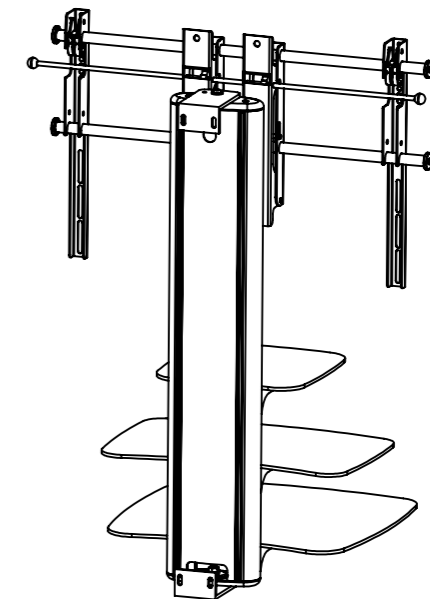
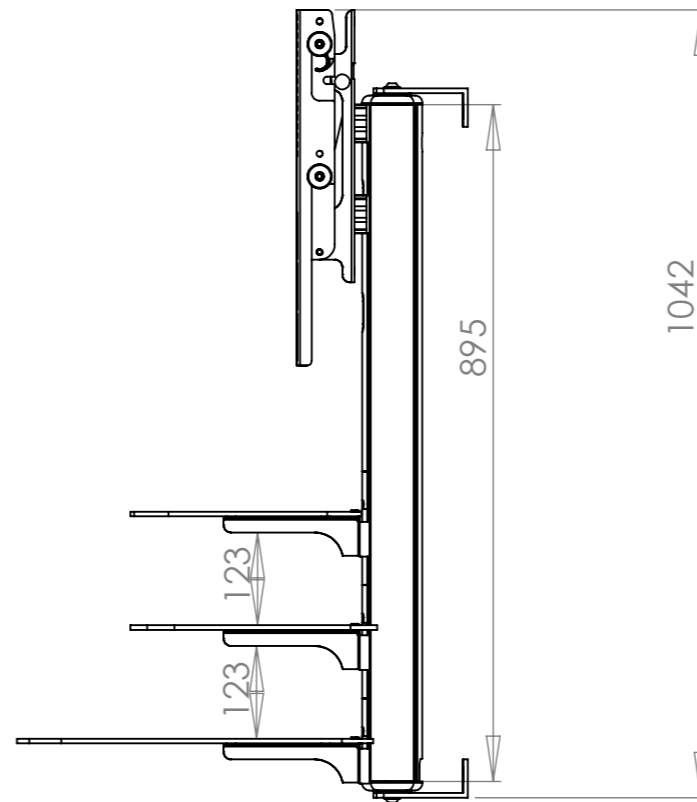
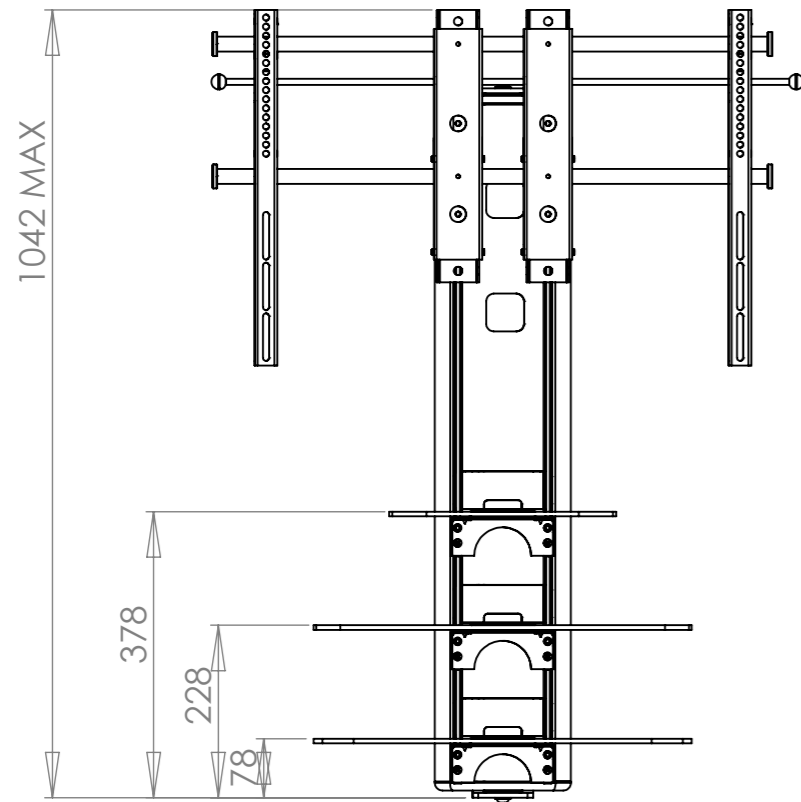
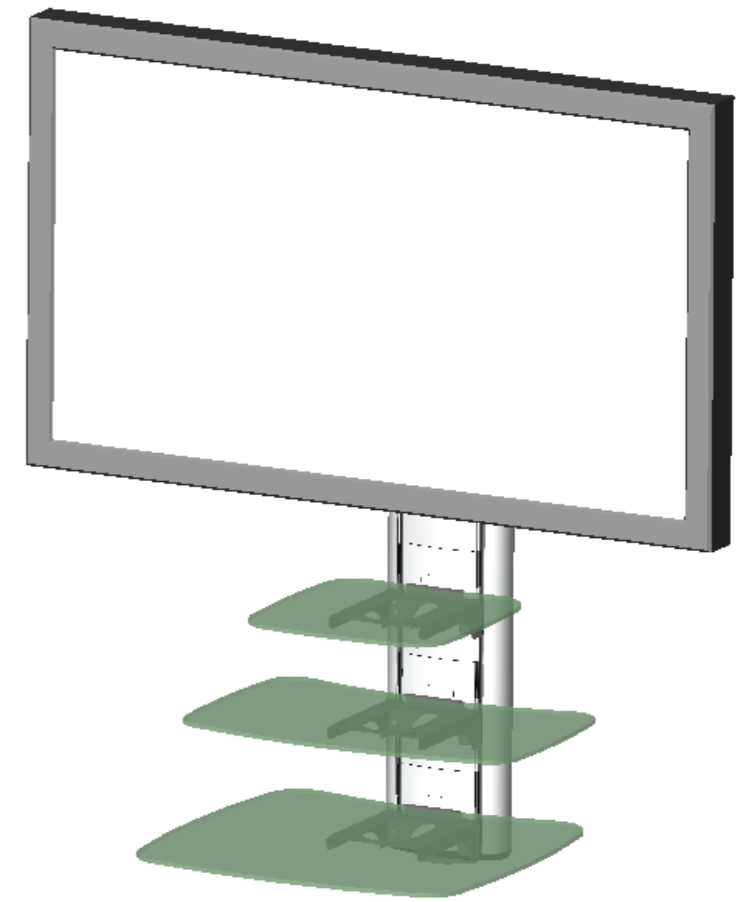
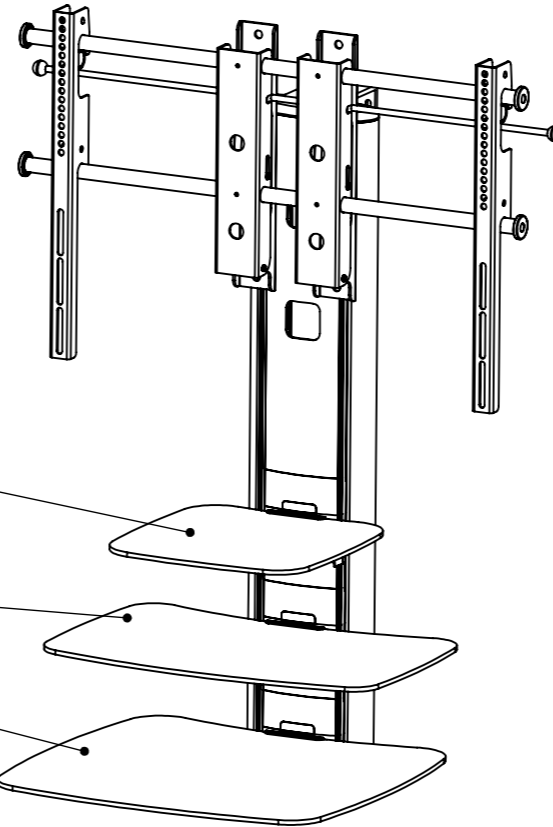


OTHER SHELF SIZES AVAILABLE
 ES-04 400 D X 500 W
 ES-09 500 D X 800 W

ES-02 SHELF
 300 D x 300 W

ES-03 SHELF
 300 D x 500 W

ES-01 SHELF
 450 D x 500 W



DEBUR AND BREAK SHARP EDGES		Mode-AL.co.uk	
MATERIAL: N/A		UNIT 4 ANAMAX IND. PARK, OXFORD ROAD, TATLING END, BUCKS SL9 7BB TEL +44 (0)1753 880824	
FINISH: SILVER		TITLE: WALL WALL MOUNT	
UNLESS OTHERWISE SPECIFIED: DIMENSIONS ARE IN MILLIMETERS TOLERANCES: LINEAR: X. ±1.0mm X.X ±0.25 mm X.XX ±0.10 mm ANGULAR: X.XX ±0.1°		DWG NO. PW093429RS-W	REV A
SCALE: 1:10	SHEET 1 OF 1	A3	