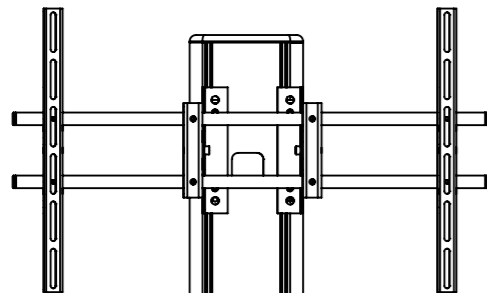
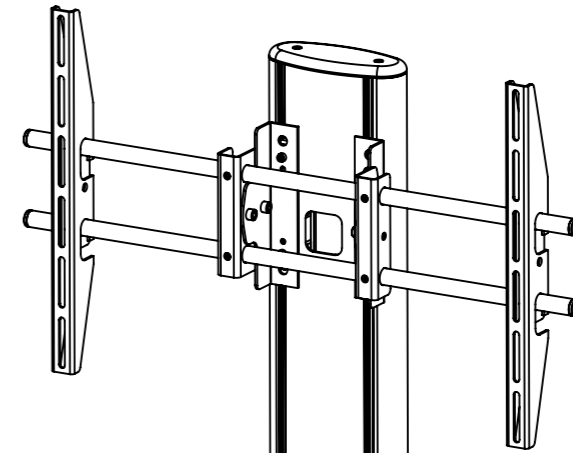


SECTION A-A  
SCALE 1 : 12



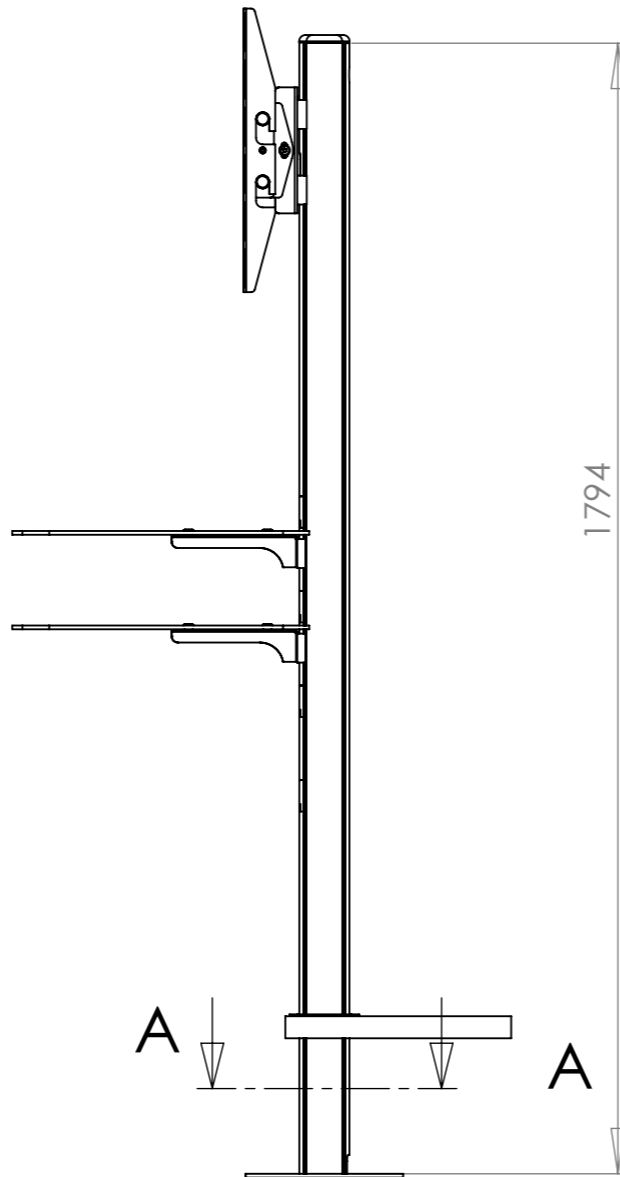
CABLE ACCESS  
PORTS OPTIONAL

770 NOMINAL

620 NOMINAL

DIM REQUIRED

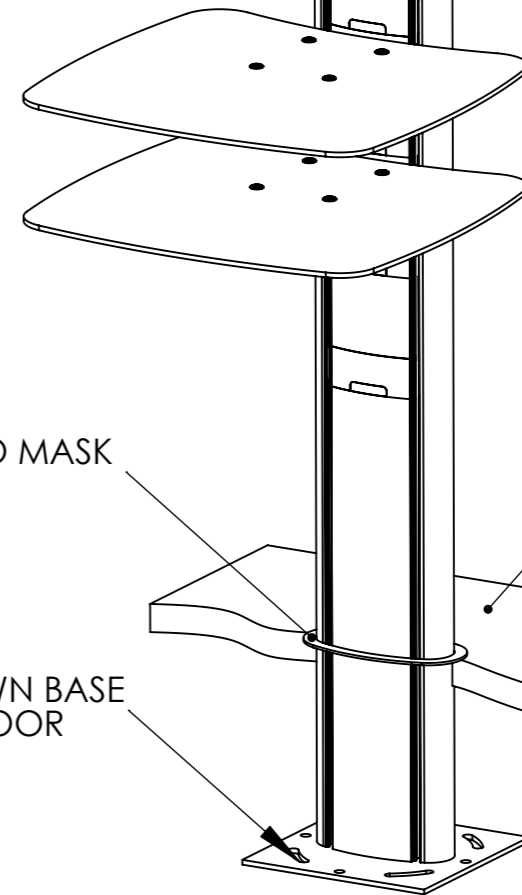
DIM REQUIRED



1794

A

A



BEZEL TO MASK  
HOLE

BOLT DOWN BASE  
UNDER FLOOR

FLOOR  
TILE

DEBUR AND BREAK SHARP EDGES

MATERIAL:

N/A

FINISH:

ANODISE NATURAL

UNLESS OTHERWISE SPECIFIED:  
DIMENSIONS ARE IN MILLIMETERS  
TOLERANCES:

LINEAR: X. ±1.0mm  
X.X ±0.25 mm  
X.XX ±0.10 mm  
ANGULAR: X.XX ±0.1°

**Mode-AL .co.uk**

UNIT 4 ANAMAX IND. PARK, OXFORD ROAD,  
TATLING END, BUCKS SL9 7BB TEL +44 (0)1753 880824

TITLE: PLASMA STAND  
BOLT DOWN UNDER FLOOR  
1800 mm BASIC DIMS

DWG NO.

PU182101XS

REV

A

SCALE: 1:12

SHEET 1 OF 1

A3