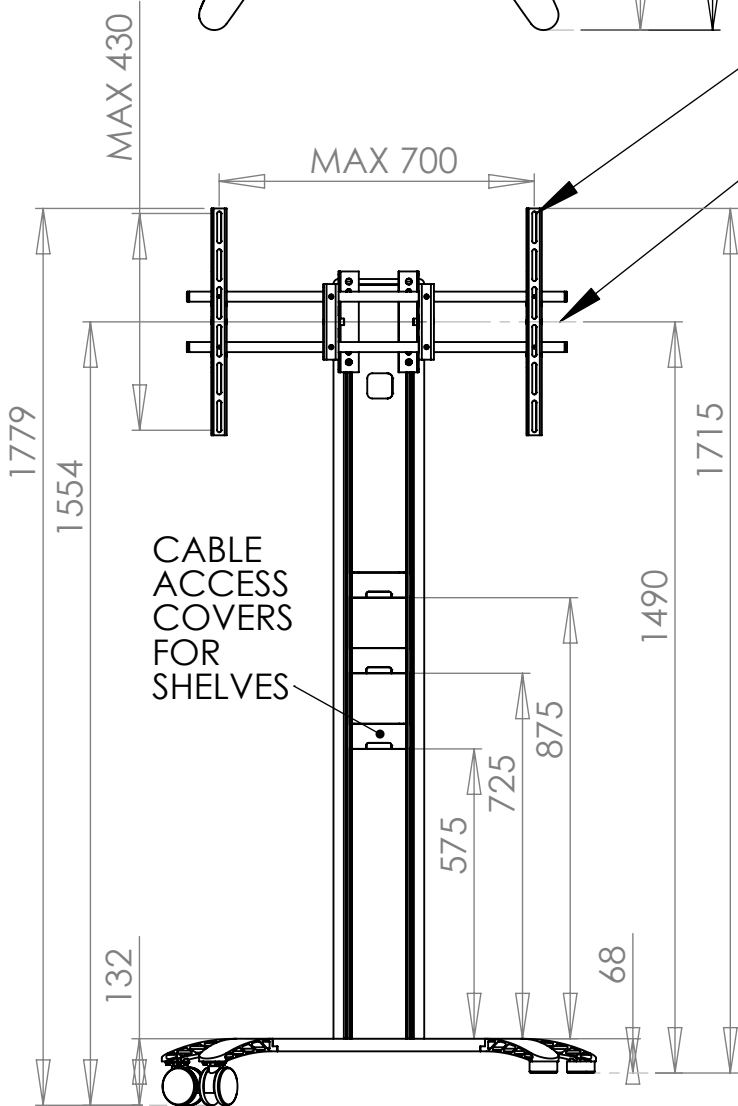
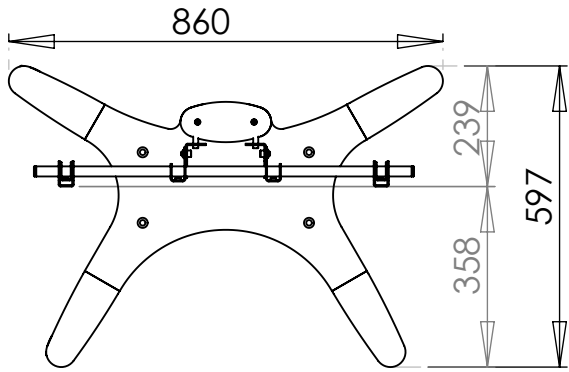


NOTE ALL ACCESSORIES FROM THE PLASMA STAND RANGE ARE COMPATIBLE WITH THIS PLASMA STAND

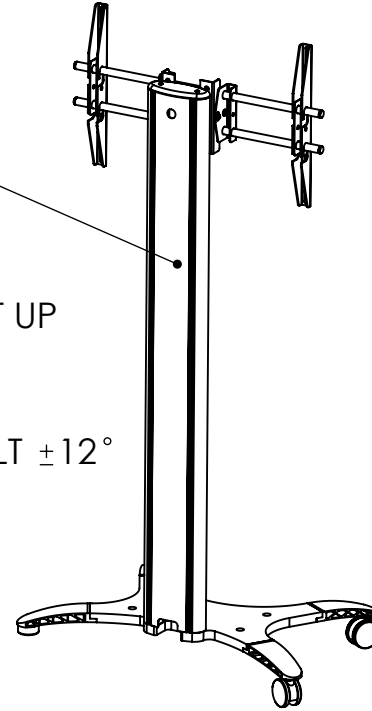


01 UNIVERSAL MOUNT
HEIGHT ADJUSTABLE ON SET UP

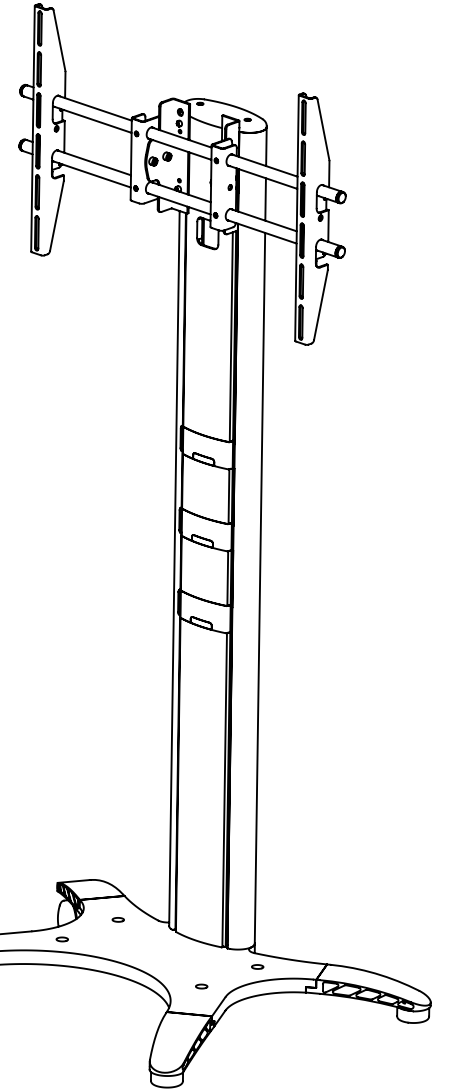
☉ OF SCREEN

REMOVABLE
REAR COVER

MOUNT TILT $\pm 12^\circ$



OPTIONS OF
CASTORS OR
LEVELLING FEET



DEBUR AND BREAK SHARP EDGES

MATERIAL:
ALUMINIUM

FINISH:
BLACK OR SILVER

UNLESS OTHERWISE SPECIFIED:
DIMENSIONS ARE IN MILLIMETRES
TOLERANCES:

LINEAR: X. ± 1.0 mm
X.X ± 0.25 mm
X.XX ± 0.10 mm
ANGULAR: X.XX $\pm 0.1^\circ$

Mode-AL .co.uk

UNIT 4 ANAMAX IND. PARK. OXFORD ROAD,
TATLING END, BUCKS SL9 7BB TEL +44 (0)1753 880824

TITLE:
**PLASMA
STAND STANDARD
1500 MM BASIC DIMS**

DWG NO.
PS150001XX

SCALE: NTS

SHEET 1 OF 1

REV
A

A4