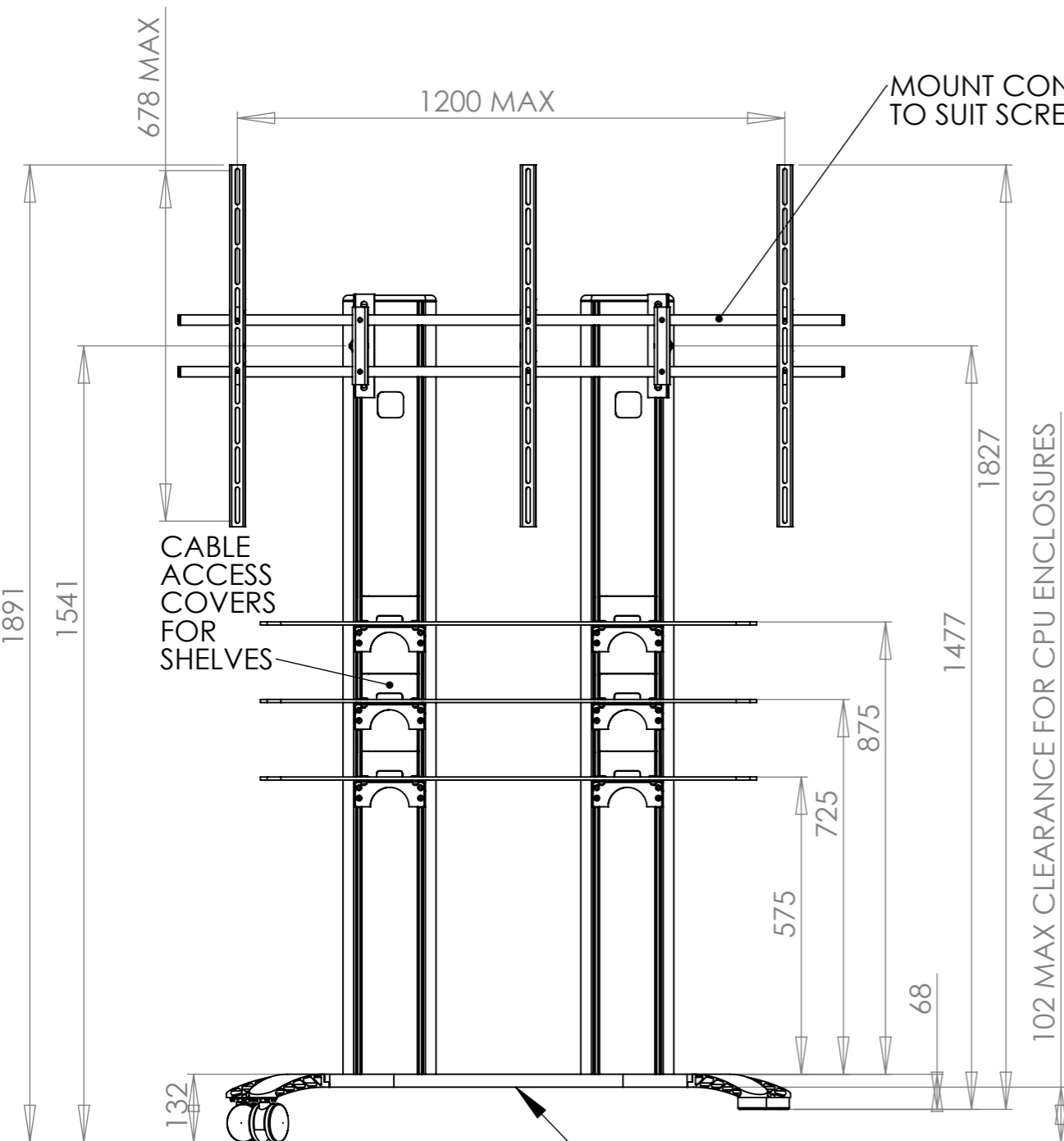
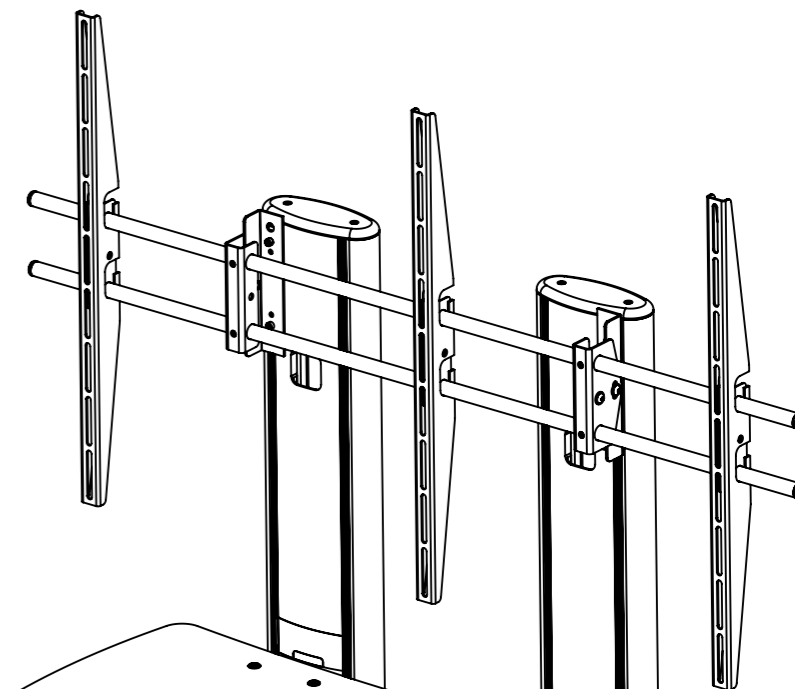
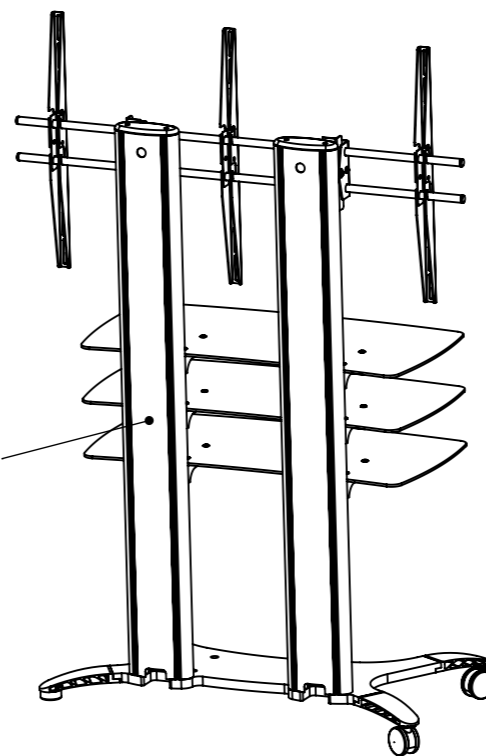


REMOVABLE REAR COVERS



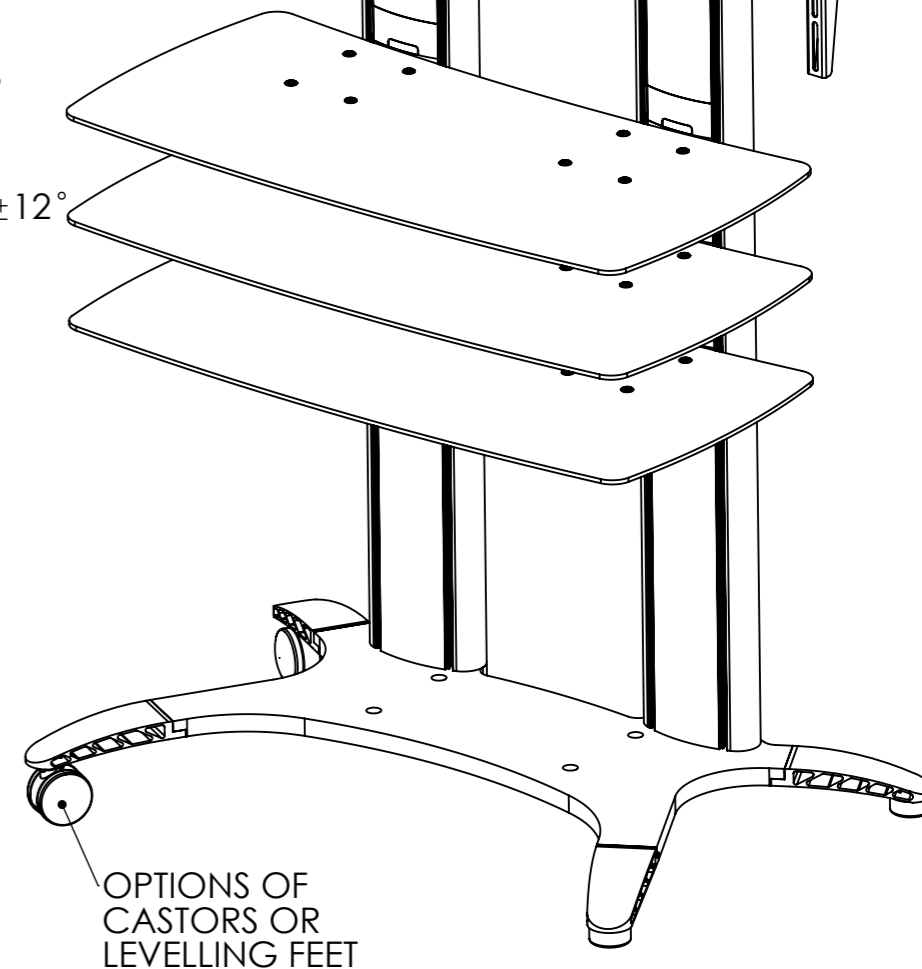
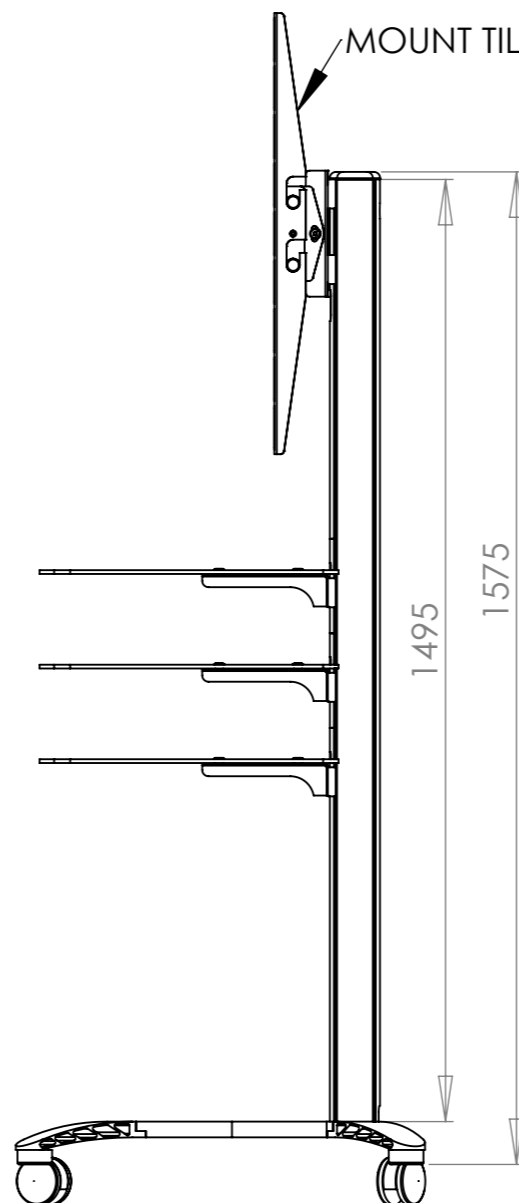
MOUNT CONFIGURED TO SUIT SCREENS

CABLE ACCESS COVERS FOR SHELVES

102 MAX CLEARANCE FOR CPU ENCLOSURES

OPTIONAL BALLAST PLATES IF REQUIRED

MOUNT TILT  $\pm 12^\circ$



OPTIONS OF CASTORS OR LEVELLING FEET

DEBUR AND BREAK SHARP EDGES

MATERIAL:

N/A

FINISH:

BLACK OR SILVER

UNLESS OTHERWISE SPECIFIED:  
DIMENSIONS ARE IN MILLIMETERS  
TOLERANCES:

LINEAR: X.  $\pm 1.0$ mm  
X.X  $\pm 0.25$  mm  
X.XX  $\pm 0.10$  mm  
ANGULAR: X.XX  $\pm 0.1^\circ$

**Mode-AL.co.uk**

UNIT 4 ANAMAX IND. PARK, OXFORD ROAD,  
TATLING END, BUCKS SL9 7BB TEL +44 (0)1753 880824

TITLE: PLASMA STAND  
MEGA BASIC DIMS

DWG NO.  
PM153505XX

REV  
A

SCALE: 1:12

SHEET 1 OF 1

A3