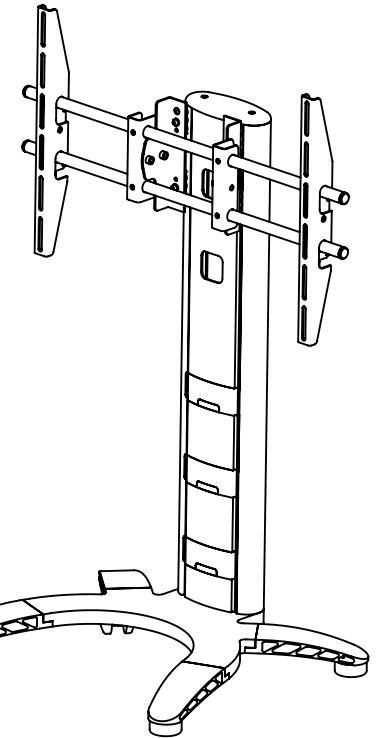
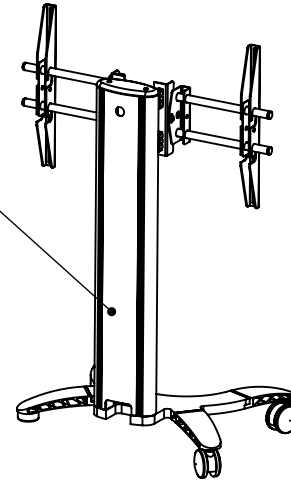


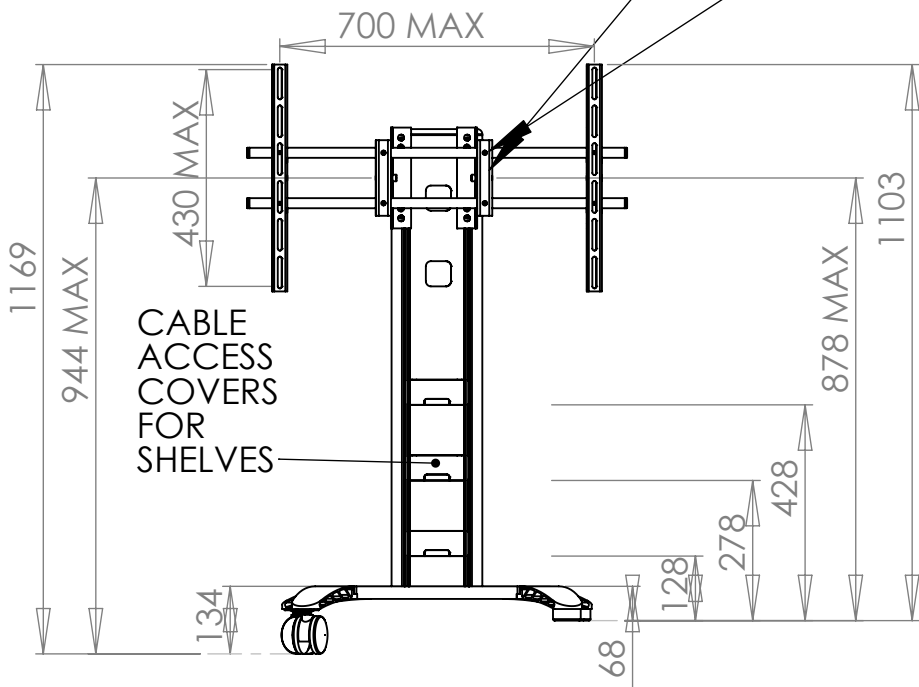
**NOTE ALL ACCESSORIES FROM THE PLASMA STAND RANGE ARE COMPATIBLE WITH THIS PLASMA STAND**

REMOVABLE REAR COVER

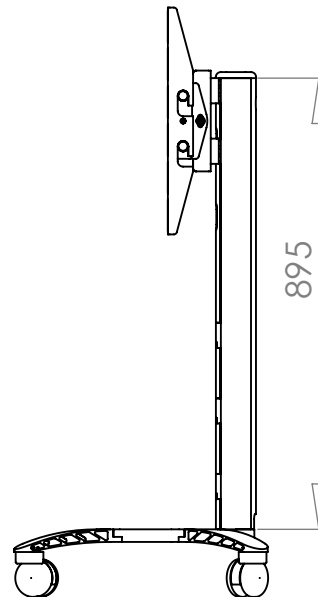


OPTIONS OF CASTORS OR LEVELLING FEET

01 UNIVERSAL MOUNT  
HEIGHT ADJUSTABLE ON SET UP  
Ø OF MOUNT



CABLE ACCESS COVERS FOR SHELVES



DEBUR AND BREAK SHARP EDGES		<b>Mode-AL .co.uk</b> UNIT 4 ANAMAX IND. PARK. OXFORD ROAD, TATLING END, BUCKS SL9 7BB TEL +44 (0)1753 880824
MATERIAL: <b>ALUMINIUM</b>		
FINISH: <b>BLACK OR SILVER</b>		TITLE: <b>PLASMA STAND MIDI 900 MM BASIC DIMS</b>
UNLESS OTHERWISE SPECIFIED: DIMENSIONS ARE IN MILLIMETRES TOLERANCES: LINEAR: X. ±1.0mm X.X ±0.25 mm X.XX ±0.10 mm ANGULAR: X.XX ±0.1°		
DWG NO. <b>PK090001XX</b>	REV <b>A</b>	
SCALE: NTS	SHEET 1 OF 1	<b>A4</b>