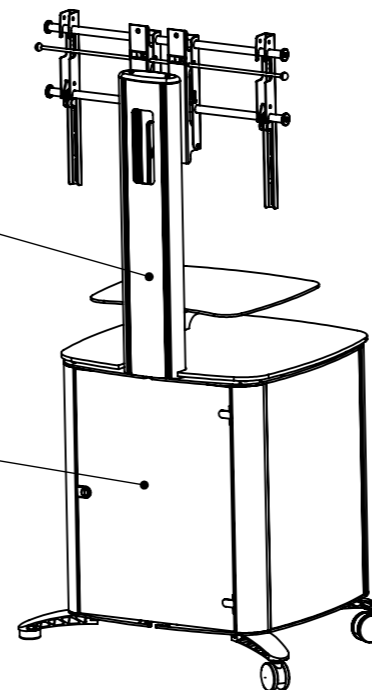
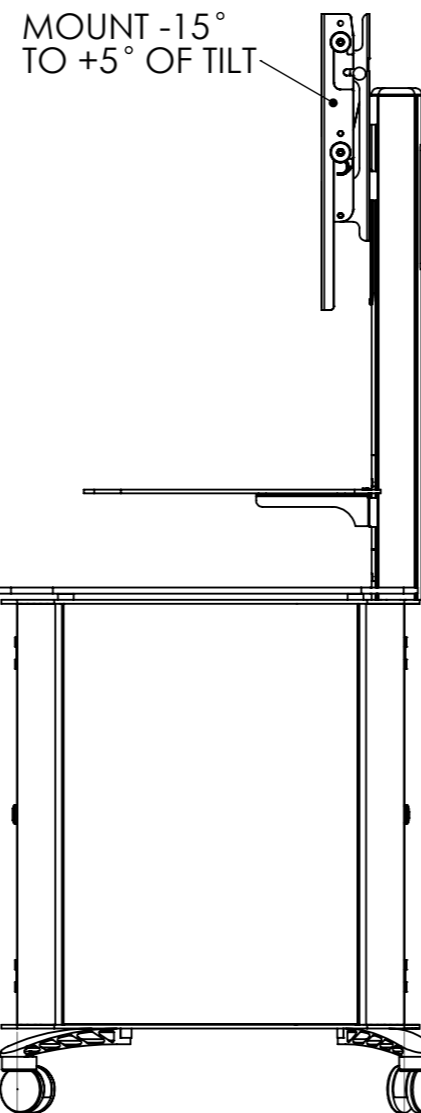
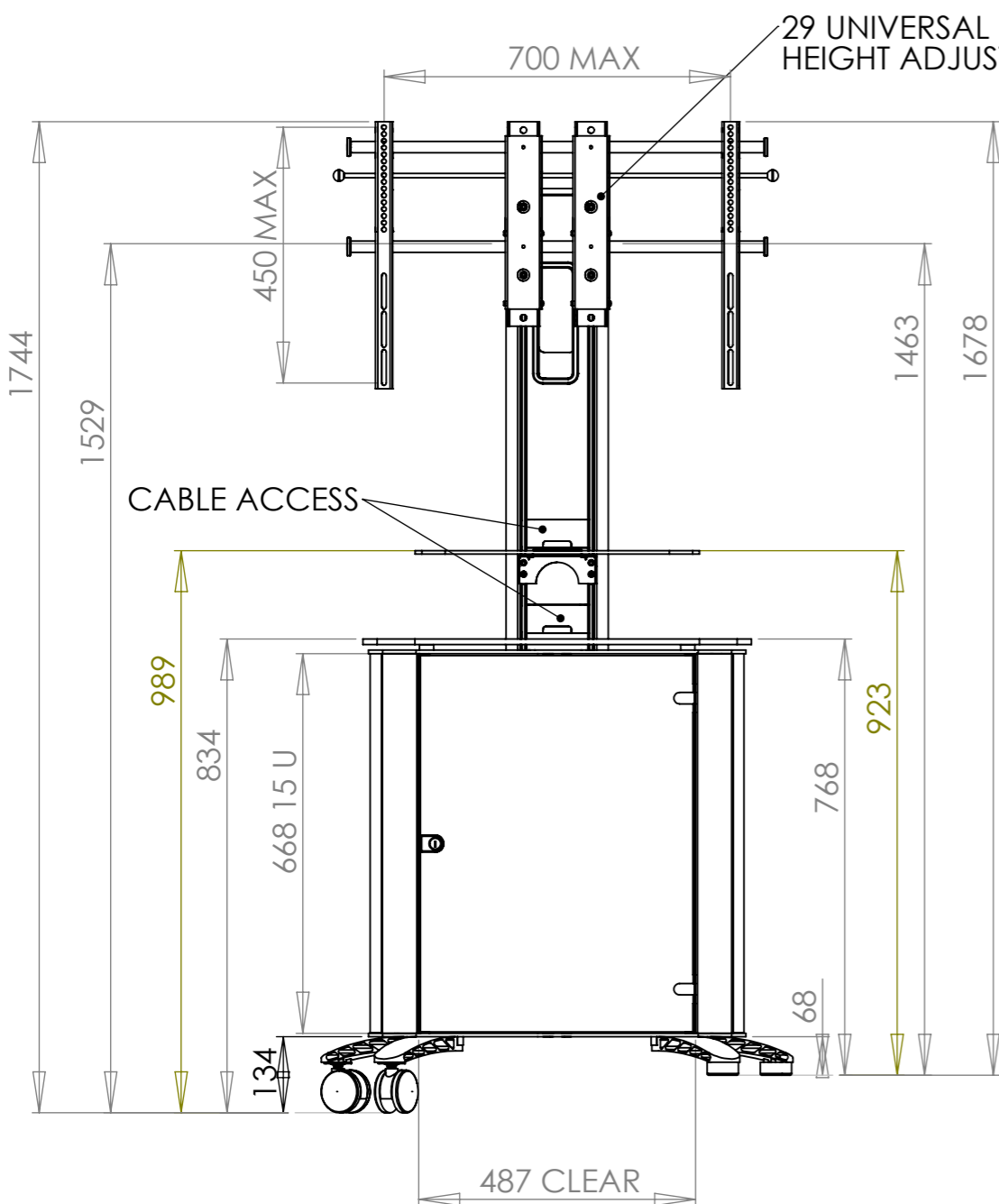
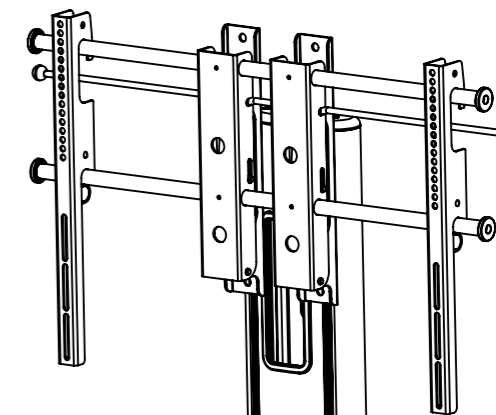


COVERS REMOVABLE FOR ACCESS

REAR ACCESS DOOR WITH LOCK, ACCESS IS NOT RESTRICTED BY COLUMN



ES-01 SHELF OPTIONAL



MOUNT -15° TO +5° OF TILT

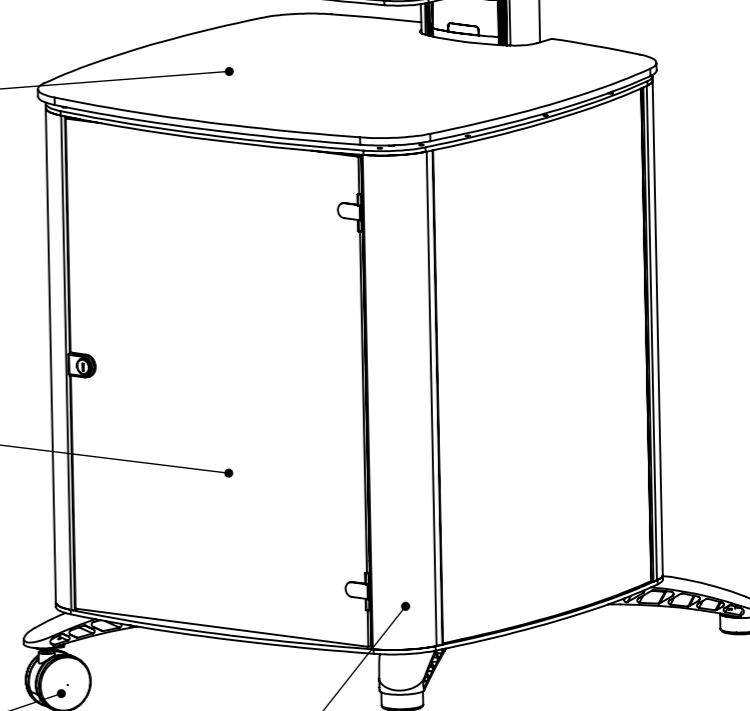
600 MAX EQUIPMENT DEPTH

TOP AS STANDARD SMOKED OR FROSTED GLASS/ ACRYLIC OR TRESPA OTHER FINISH OPTIONS AVAILABLE

DOORS AND SIDES AS STANDARD SMOKED OR FROSTED GLASS/ ACRYLIC OTHER FINISH OPTIONS AVAILABLE

CASTORS AS STANDARD LEVELLING FEET OPTIONAL

FEET COLUMNS AND CABINET CORNERS NATURAL ANODISED (SILVER)



DEBUR AND BREAK SHARP EDGES

MATERIAL:

N/A

FINISH:

SEE DWG

UNLESS OTHERWISE SPECIFIED:

DIMENSIONS ARE IN MILLIMETERS

TOLERANCES:

LINEAR: X. ±1.0mm

X.X ±0.25 mm

X.XX ±0.10 mm

ANGULAR: X.XX ±0.1°

**Mode-AL.co.uk**

UNIT 4 ANAMAX IND. PARK, OXFORD ROAD, TATLING END, BUCKS SL9 7BB TEL +44 (0)1753 880824

TITLE: PLASMA STAND EQUIP - 15U WITH DOOR AND ES-01 SHELF

DWG NO. PE081129CS15DX

REV A

SCALE: 1:12

SHEET 1 OF 1

A3