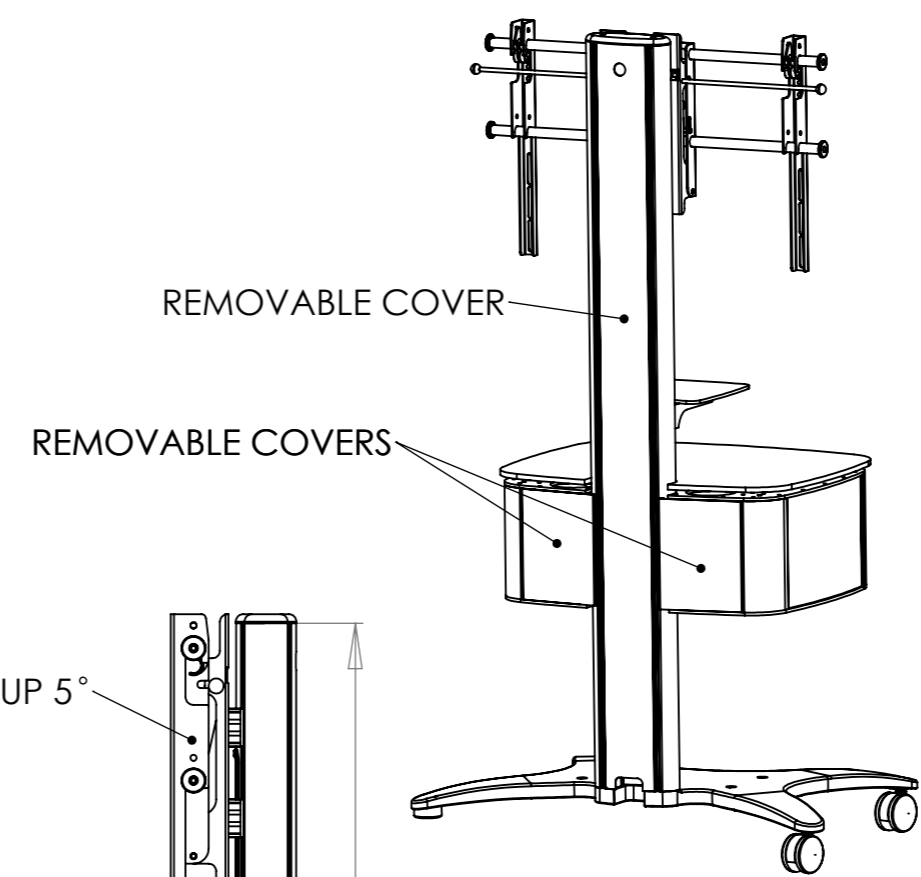


29 UNIVERSAL MOUNT  
HEIGHT ADJUSTABLE  
ON SET-UP

MOUNT TILT  
DOWN 15° UP 5°



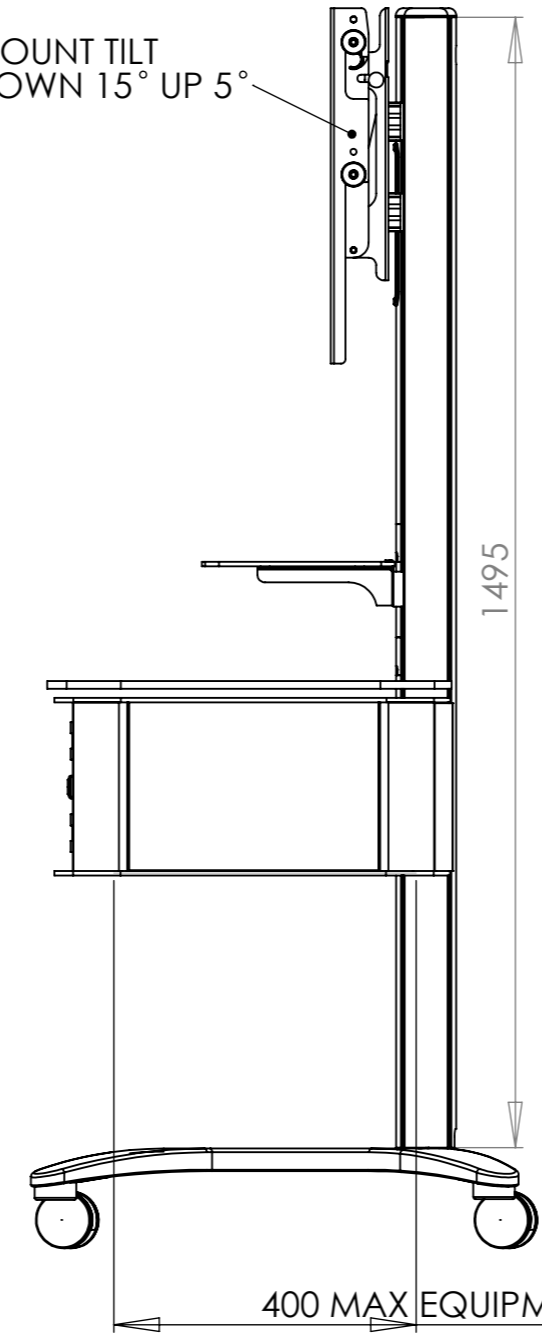
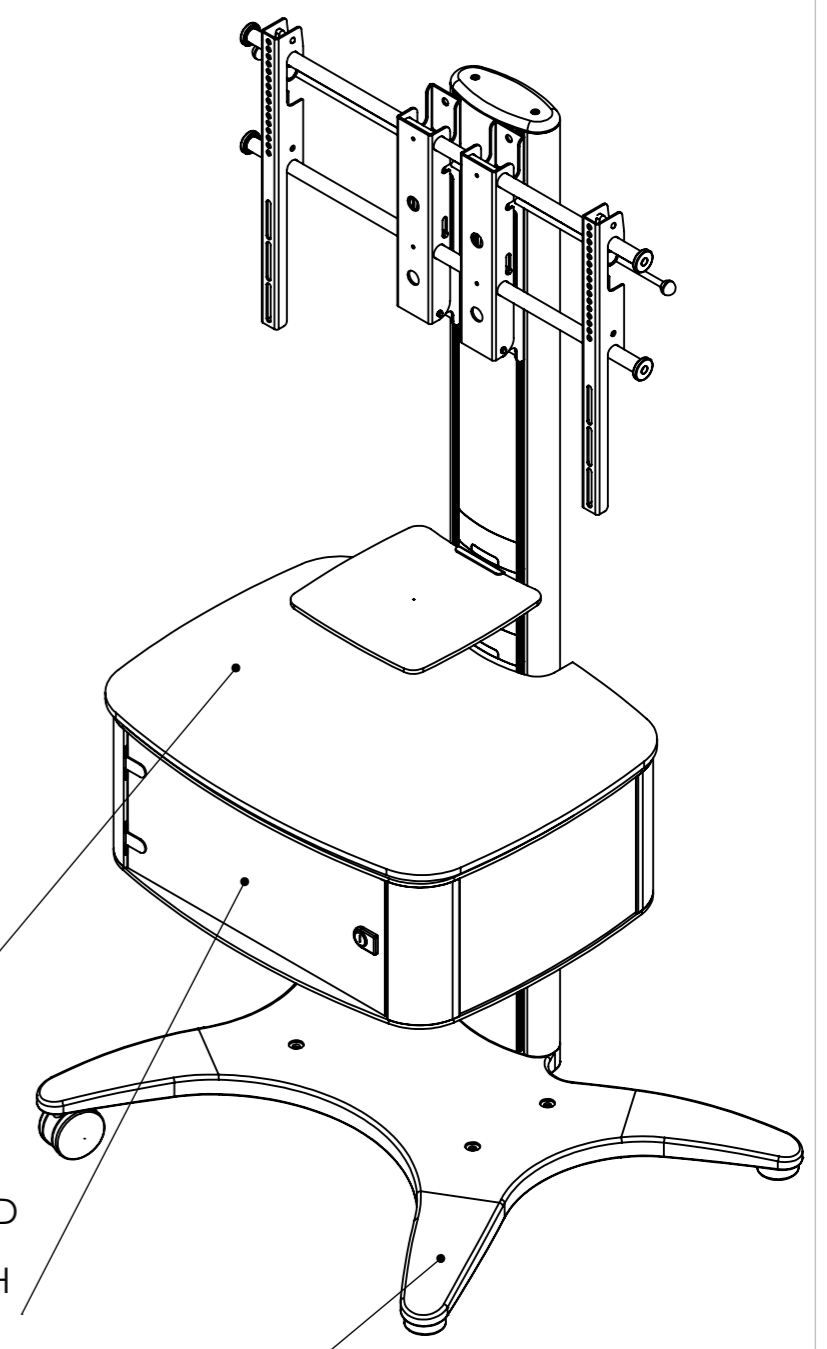
REMOVABLE COVERS

REMOVABLE COVER

TOP AS STANDARD SMOKED  
OR FROSTED GLASS OR  
GREY OR BLACK TRESPA  
OTHER FINISH OPTIONS  
AVAILABLE

DOORS AND SIDES  
AS STANDARD SMOKED  
OR FROSTED GLASS/  
ACRYLIC OTHER FINISH  
OPTIONS AVAILABLE

BASE COLUMNS AND CABINET  
CORNERS NATURAL ANODISED  
(SILVER)



400 MAX EQUIPMENT DEPTH

DEBUR AND BREAK SHARP EDGES		<b>Mode-AL.com</b> UNIT 4 ANAMAX IND. PARK. OXFORD ROAD, TATLING END, BUCKS SL9 7BB TEL +44 (0)1753 880824
MATERIAL: N/A		
FINISH: SEE DWG		TITLE: PLASMA STAND EQUIP 1500 COLUMN 05 U x 400 D CABINET
UNLESS OTHERWISE SPECIFIED: DIMENSIONS ARE IN MILLIMETRES TOLERANCES: LINEAR: X. ±1.0mm X.X ±0.25 mm X.XX ±0.10 mm ANGULAR: X.XX ±0.1°		DWG NO. P3151629xx05Dx4
SCALE: 1:10		REV A
SHEET 1 OF 1		A3