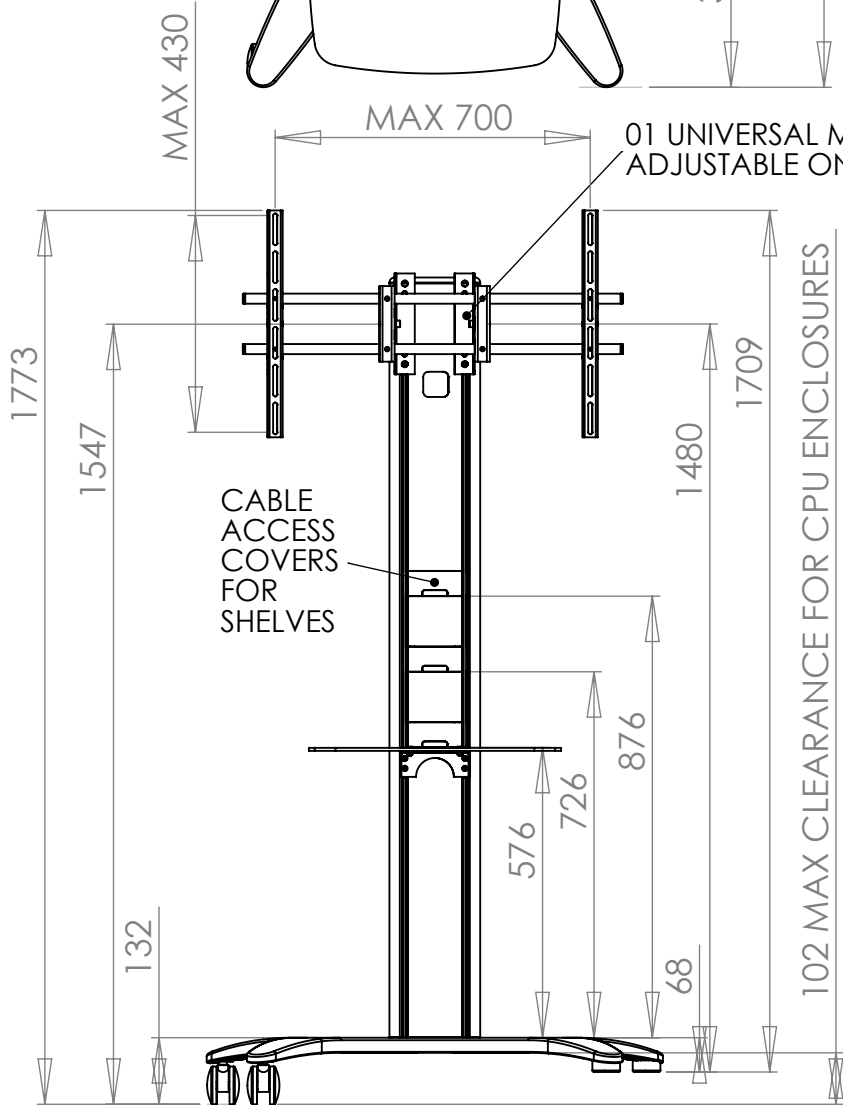
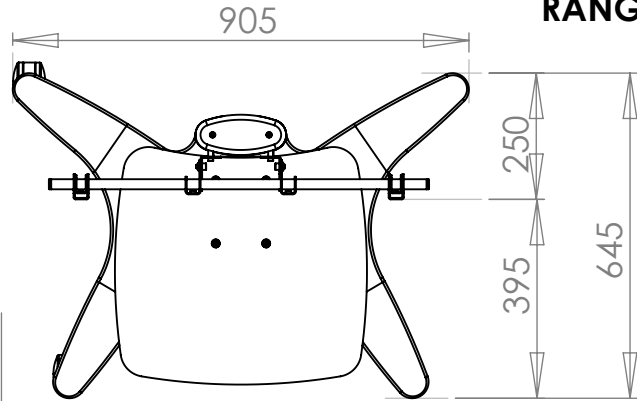


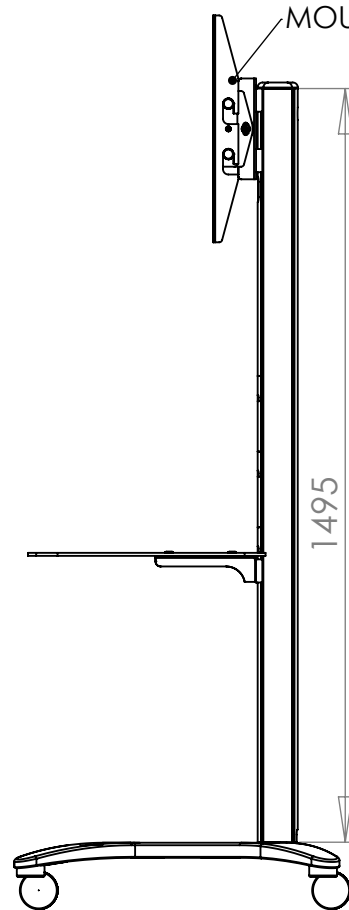
**NOTE ALL ACCESSORIES FROM THE STANDARD PLASMA STAND RANGE ARE COMPATIBLE WITH THIS STAND**



01 UNIVERSAL MOUNT HEIGHT ADJUSTABLE ON SET UP

CABLE ACCESS COVERS FOR SHELVES

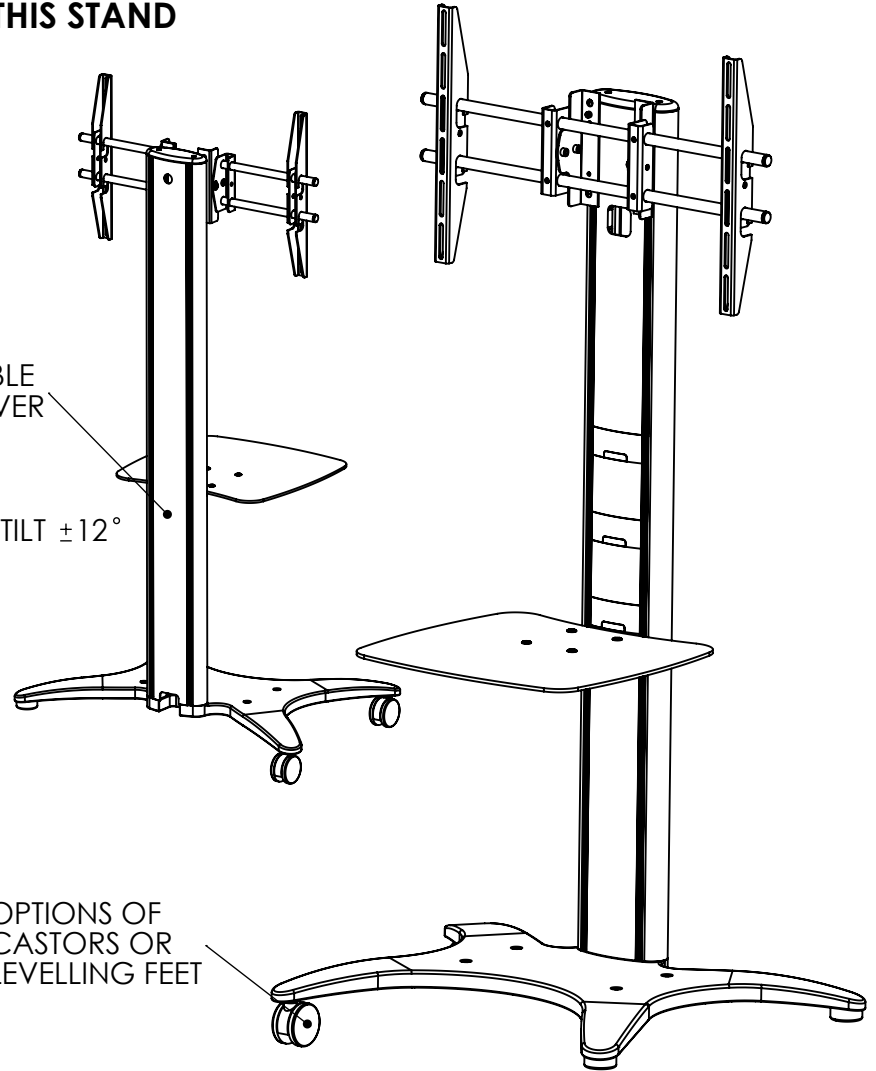
102 MAX CLEARANCE FOR CPU ENCLOSURES



REMOVABLE REAR COVER

MOUNT TILT  $\pm 12^\circ$

OPTIONS OF CASTORS OR LEVELLING FEET



DEBUR AND BREAK SHARP EDGES		<b>Mode-AL.co.uk</b> UNIT 4 ANAMAX IND. PARK. OXFORD ROAD, TATLING END, BUCKS SL9 7BB TEL +44 (0)1753 880824
MATERIAL: N/A		
FINISH: <b>BLACK OR SILVER</b>		TITLE: <b>PLASMA STAND DCB 1500 mm BASIC DIMS</b>
UNLESS OTHERWISE SPECIFIED: DIMENSIONS ARE IN MILLIMETERS TOLERANCES: LINEAR: X. ±1.0mm X.X ±0.25 mm X.XX ±0.10 mm ANGULAR: X.XX ±0.1°		DWG NO. <b>PD151101XX</b>
SCALE: NTS	SHEET 1 OF 1	REV <b>A</b>