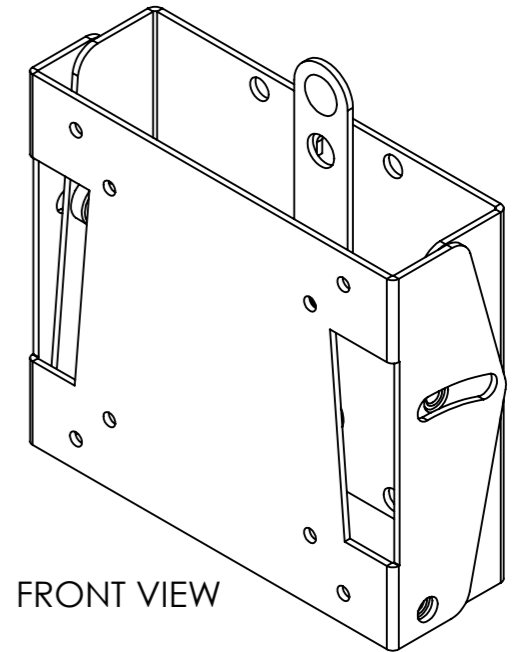
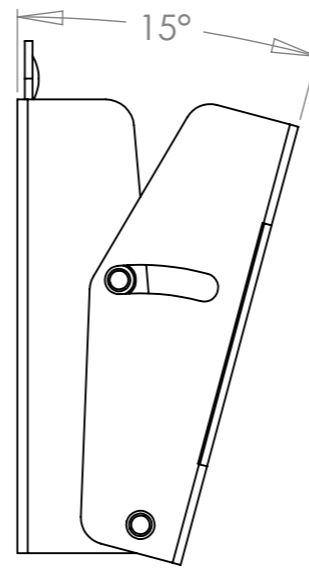
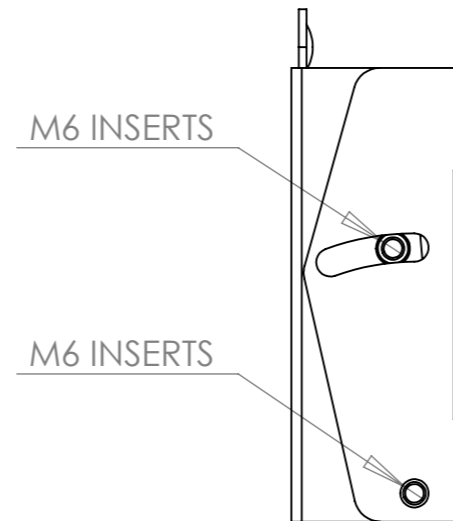
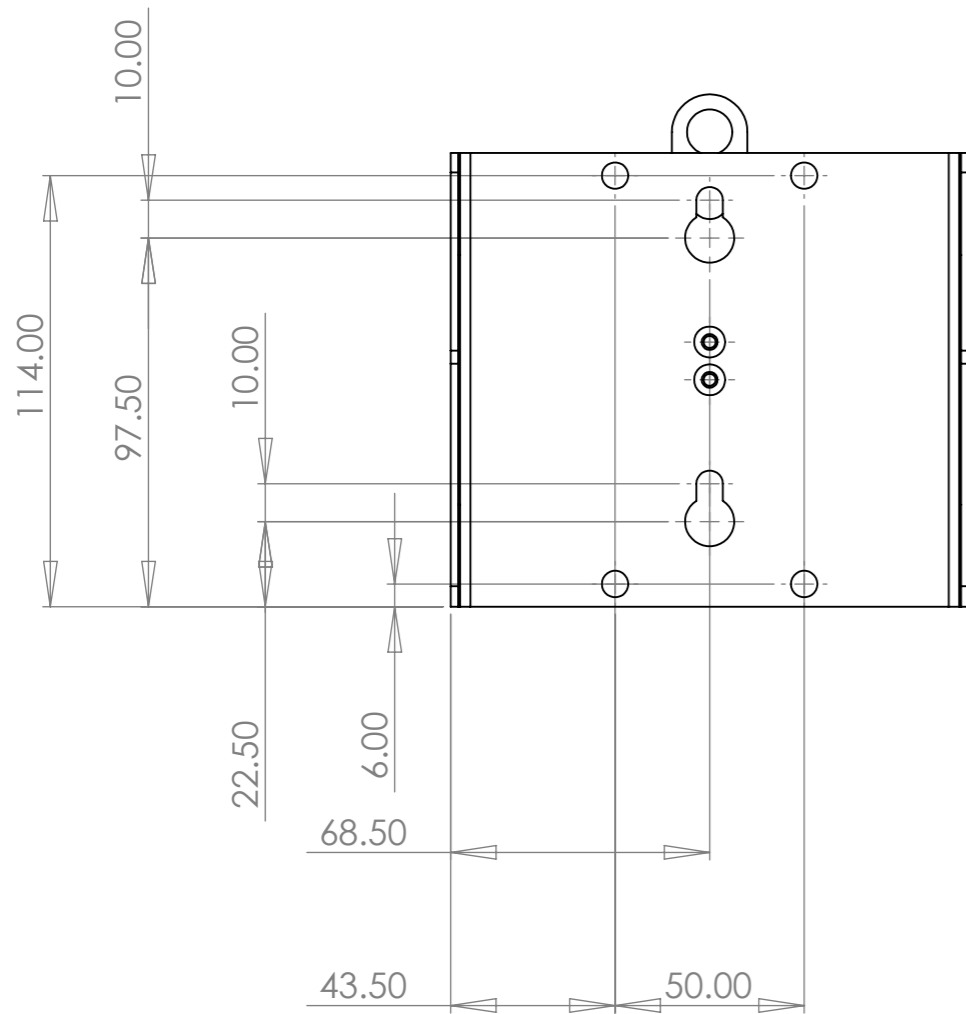


REAR VIEW

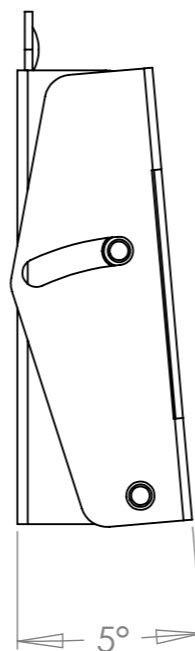
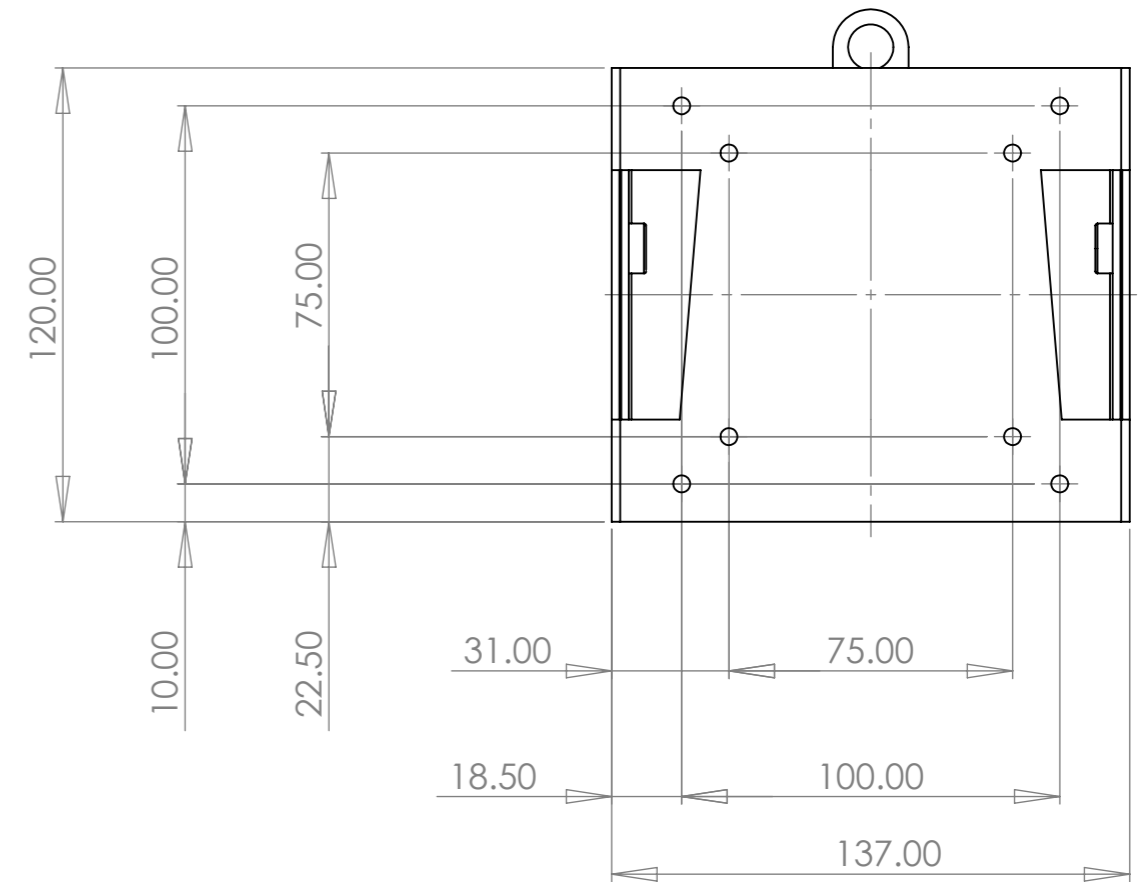


FRONT VIEW



M6 INSERTS

M6 INSERTS



5°

MAX WEIGHT CAPACITY = 18kg  
 WALL BRACKET TO WALL FIXINGS = M6 MIN  
 SCREEN BRACKET TO SCREEN = M4

DEBUR AND BREAK SHARP EDGES		<b>Mode-AL.com</b> UNIT 4 ANAMAX IND. PARK, OXFORD ROAD, TATLING END, BUCKS SL9 7BB TEL +44 (0)1753 880824
MATERIAL: <b>STEEL</b>		
FINISH: <b>BLACK</b>		TITLE: <b>VESA 100x100 TILT</b>
UNLESS OTHERWISE SPECIFIED: DIMENSIONS ARE IN MILLIMETERS TOLERANCES: LINEAR: X. ±1.0mm X.X ±0.25 mm X.XX ±0.10 mm ANGULAR: X.XX ±0.1°		DWG NO. <b>MA-OEM-31</b>
SCALE: 1:2	SHEET 1 OF 1	<b>A3</b>