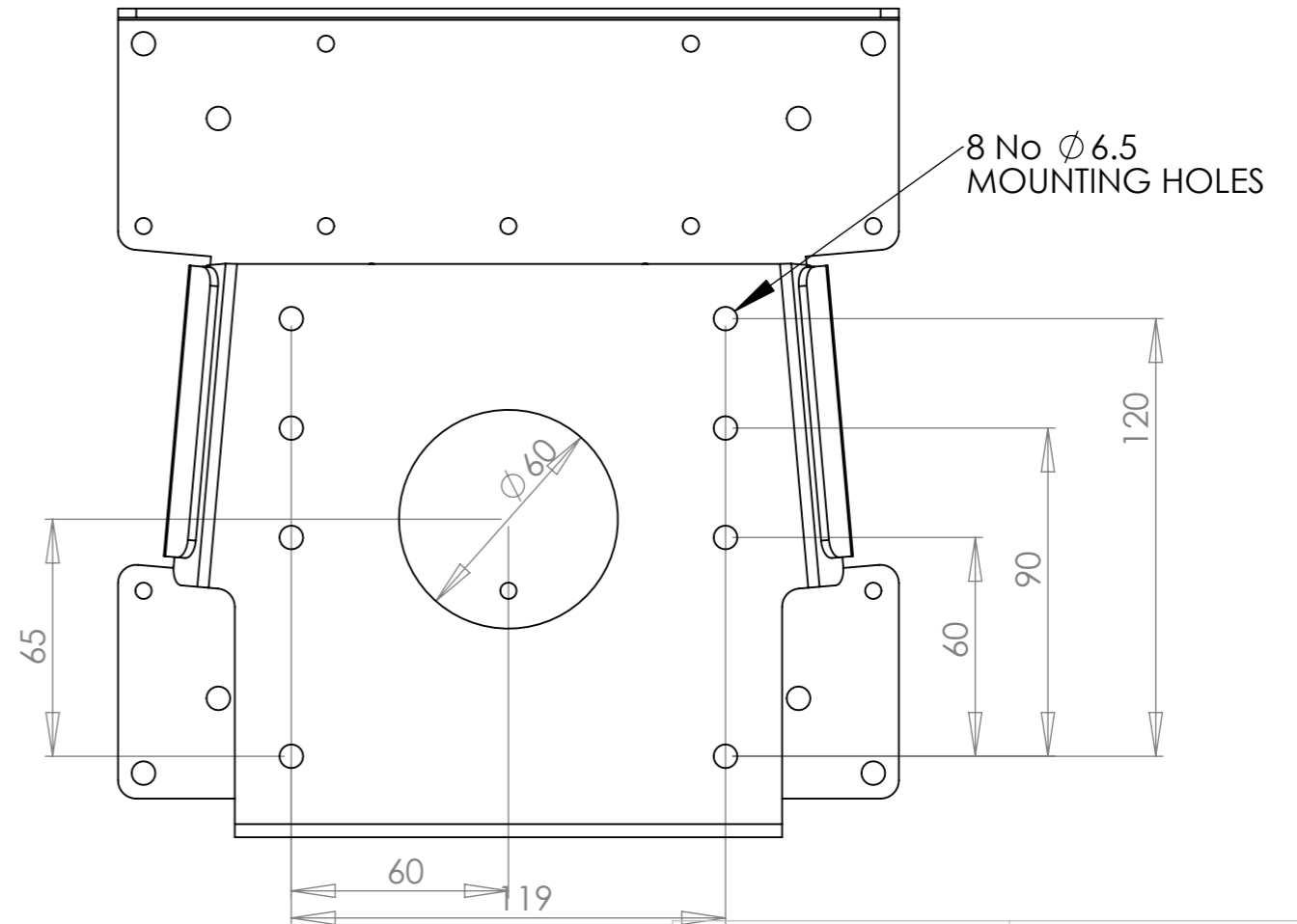
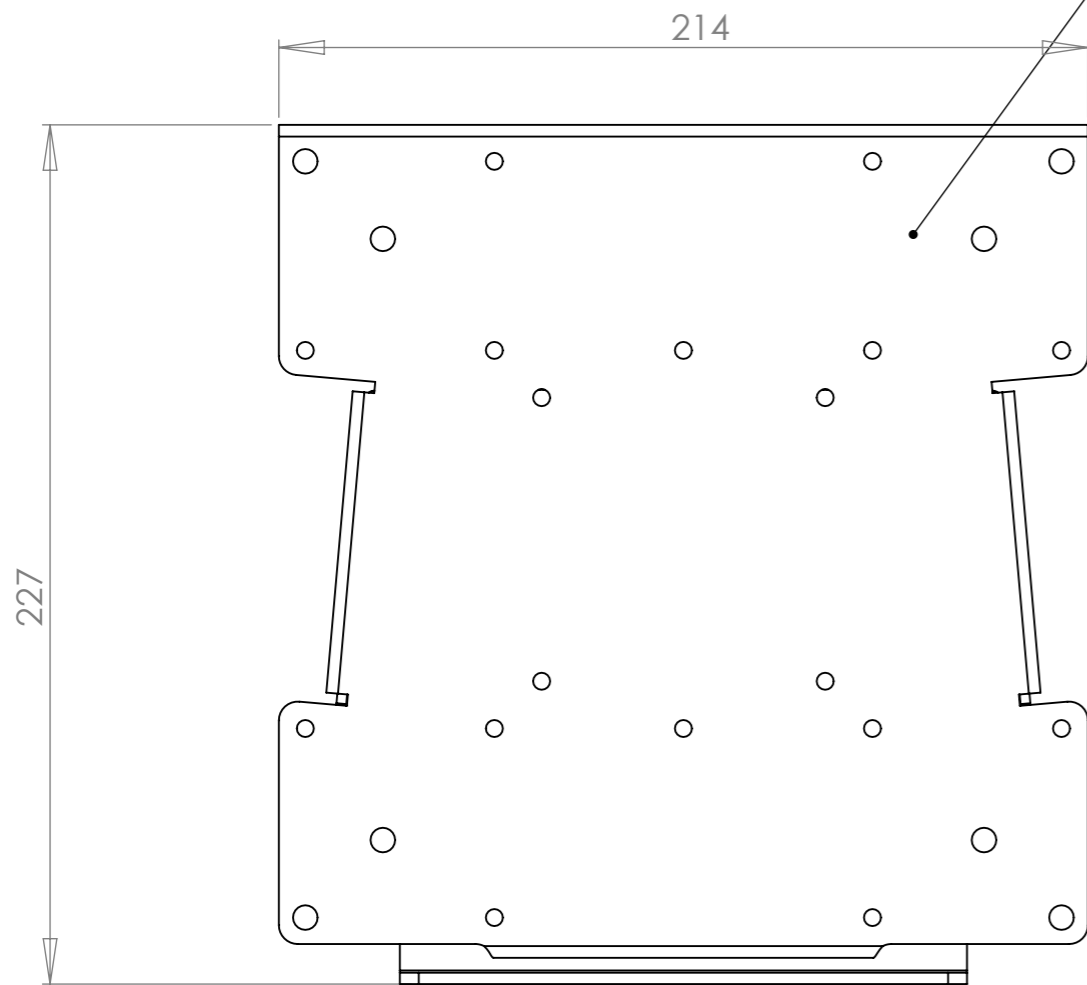
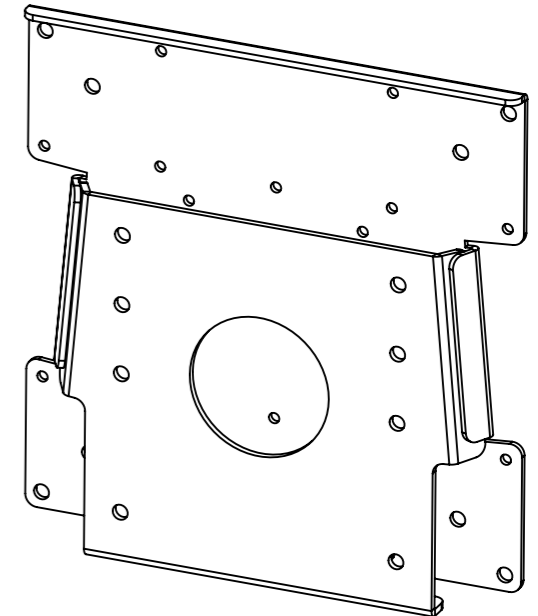
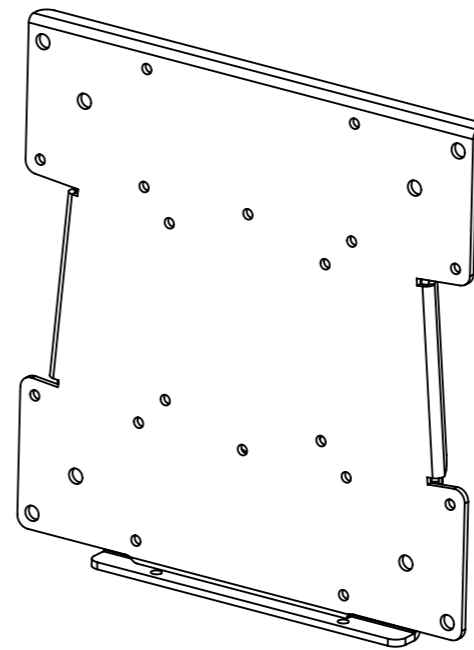
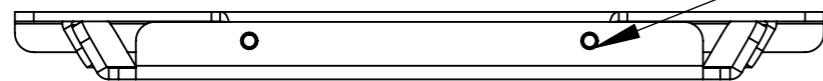




VESA 75x75, 100x100, 100x200, 200x100 & 200x200 & CLARITY MOUNTINGS



2 No M4 FIXINGS TO SECURE SCREEN ON TO MOUNT



DEBUR AND BREAK SHARP EDGES

MATERIAL:

N/A

FINISH:

N/A

UNLESS OTHERWISE SPECIFIED:
DIMENSIONS ARE IN MILLIMETERS

TOLERANCES:

LINEAR: X. ±1.0mm

X.X ±0.25 mm

X.XX ±0.10 mm

ANGULAR: X.XX ±0.1°

Mode-AL.co.uk

UNIT 4 ANAMAX IND. PARK, OXFORD ROAD,
TATLING END, BUCKS SL9 7BB TEL +44 (0)1753 880824

TITLE:

VESA WALL MOUNT
FIXED

DWG NO.

MA-OEM-07

REV

A

SCALE: 1:2

SHEET 1 OF 1

A3