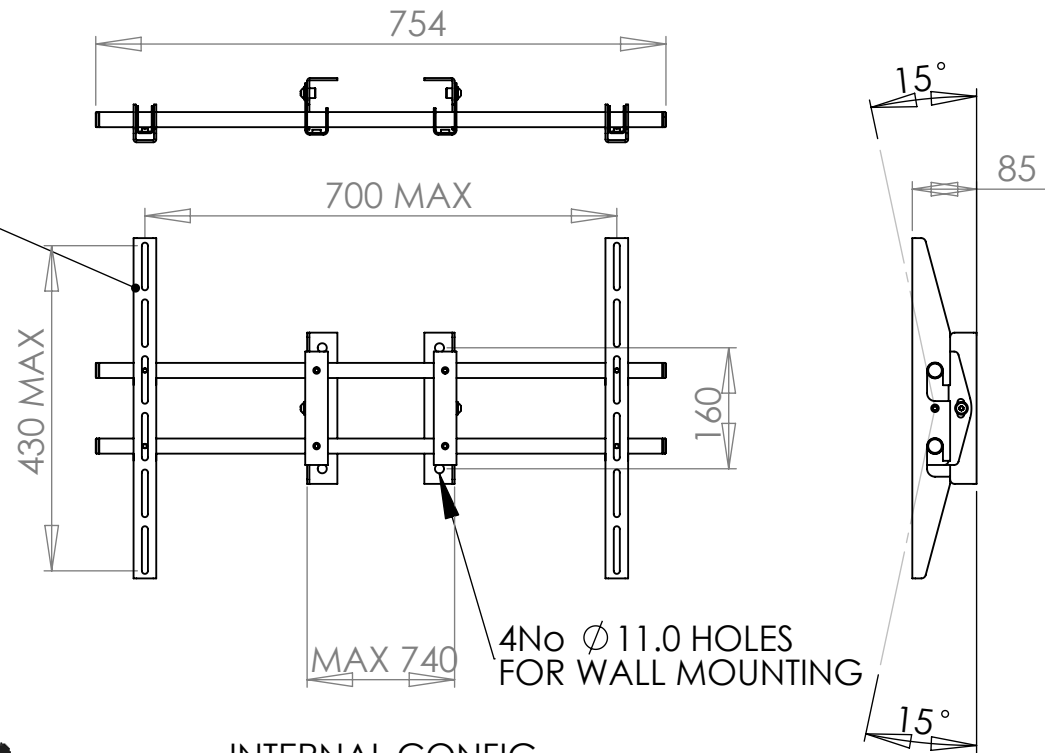
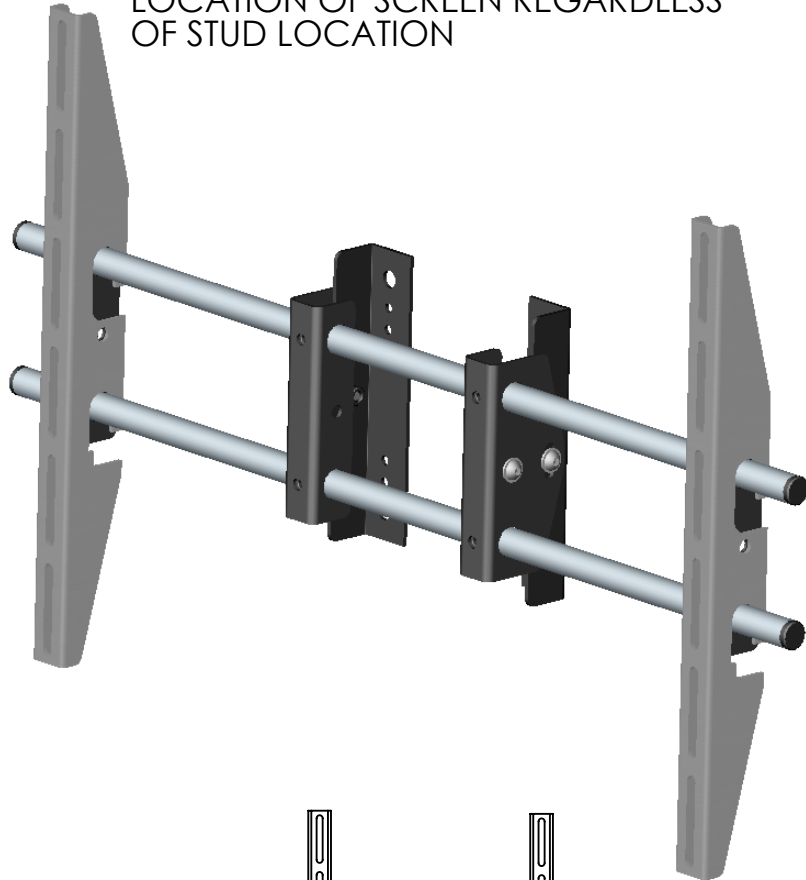
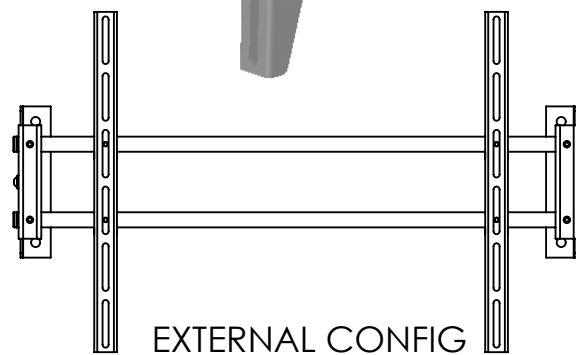
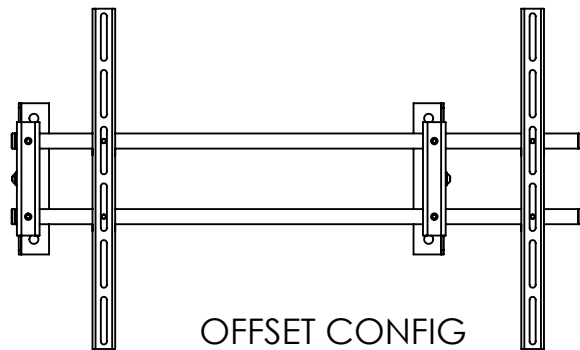


SCREEN BRACKETS CAN BE MOUNTED INTERNALLY (AS SHOWN) OR EXTERNALLY TO WALL MOUNT BRACKETS OR ONE INTERNAL ONE EXTERNAL TO ACHIEVE DESIRED LOCATION OF SCREEN REGARDLESS OF STUD LOCATION



INTERNAL CONFIG



DEBUR AND BREAK SHARP EDGES

MATERIAL:

N/A

FINISH:

POWDERCOAT BLACK

UNLESS OTHERWISE SPECIFIED:
DIMENSIONS ARE IN MILLIMETERS
TOLERANCES:

LINEAR: X. ±1.0mm
X.X ±0.25 mm
X.XX ±0.10 mm
ANGULAR: X.XX ±0.1°

Mode-AL .co.uk

UNIT 4 ANAMAX IND. PARK, OXFORD ROAD,
TATLING END, BUCKS SL9 7BB TEL +44 (0)1753 880824

TITLE:

STUD PARTITION
UNIVERSAL TILT

DWG NO.

MA-OEM-01

REV

A

SCALE: 1:10, NTS

SHEET 1 OF 1

A4