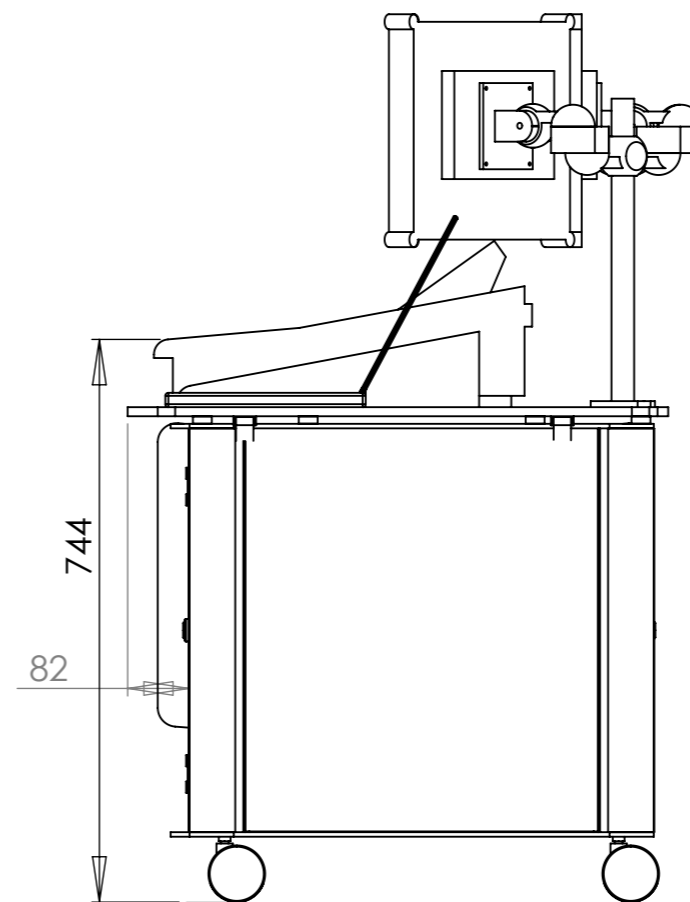
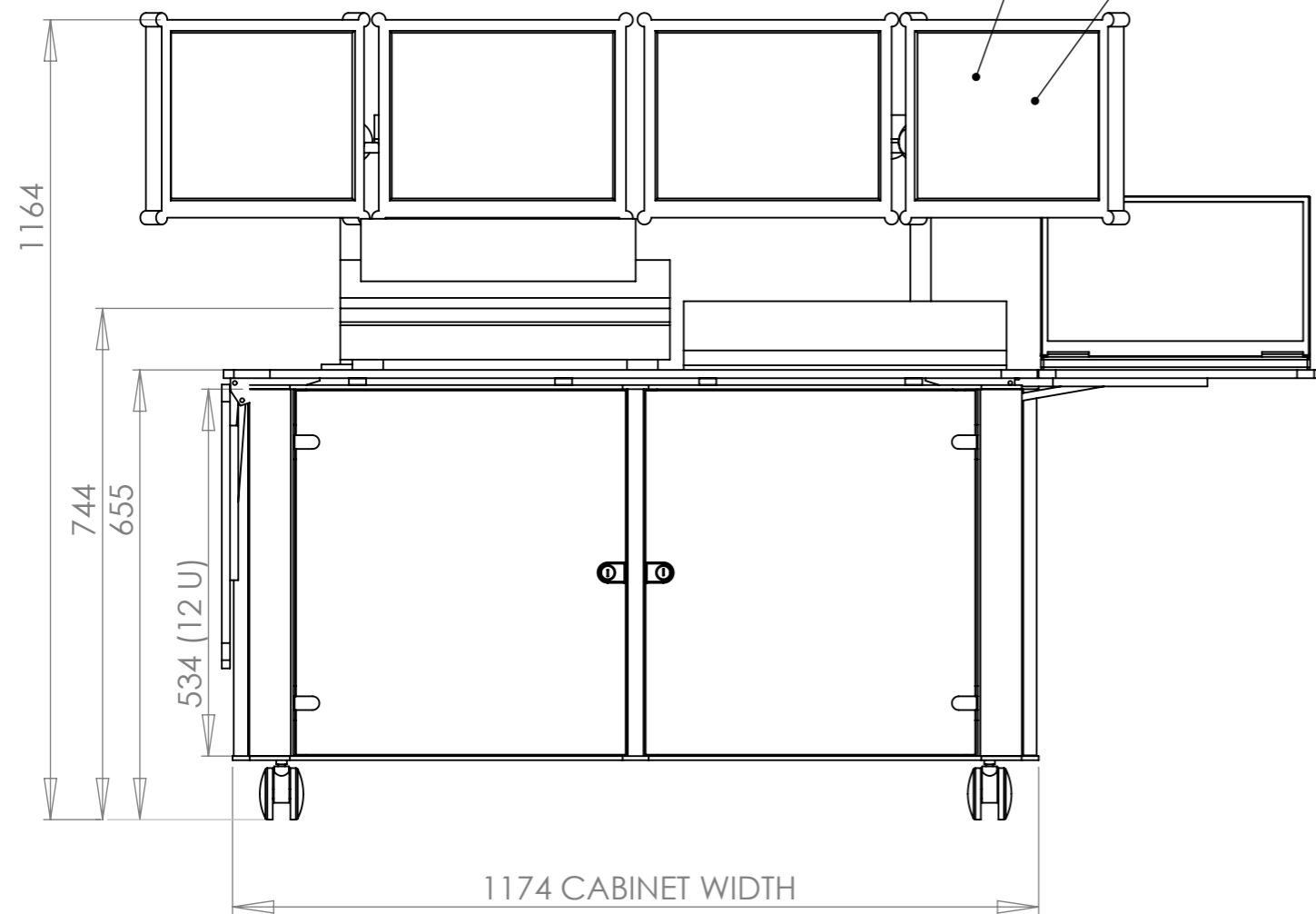


SCREENS MOUNTED ON ARMS TO ALLOW THE TWO OUTER SCREENS TO BE PIVOTED IN WARDS TO REDUCE THE WITH TO 1200 mm FOR TRANSPORTATION

4 No 15" SCREENS (TILTABLE)



D 16.01.07 SCREEN ARMS REPLACE BANK MOUNT
 C 15.01.07 REDUCED INLENGTH FROM 1400
 17" SCREENS REMOVED 2X2 CONFIG CHANGED TO 4X1
 SOND DESK CHANGED FORM LS9-32
 B 8.01.07 REVISED TO CLIENTS COMMENTS
 WIDTH REDUCED FROM 2000 MM DEPTH FROM 800MM
 END SHELVES ADDED CAB REDUCED FROM 15 U
 SCREEN SIZES AND LOCATION CHANGED

DEBUR AND BREAK SHARP EDGES		Mode-AL.co.uk UNIT 4 ANAMAX IND. PARK, OXFORD ROAD, TATLING END, BUCKS SL9 7BB TEL +44 (0)1753 880824
MATERIAL:	X	
FINISH:	X	TITLE: MIXING DESK OPTION 1
UNLESS OTHERWISE SPECIFIED: DIMENSIONS ARE IN MILLIMETERS TOLERANCES: LINEAR: X. ±1.0mm X.X ±0.25 mm X.XX ±0.10 mm ANGULAR: X.XX ±0.1°		DWG NO. MA-FO-01-01
SCALE: 1:10		REV D
SHEET 1 OF 1		A3