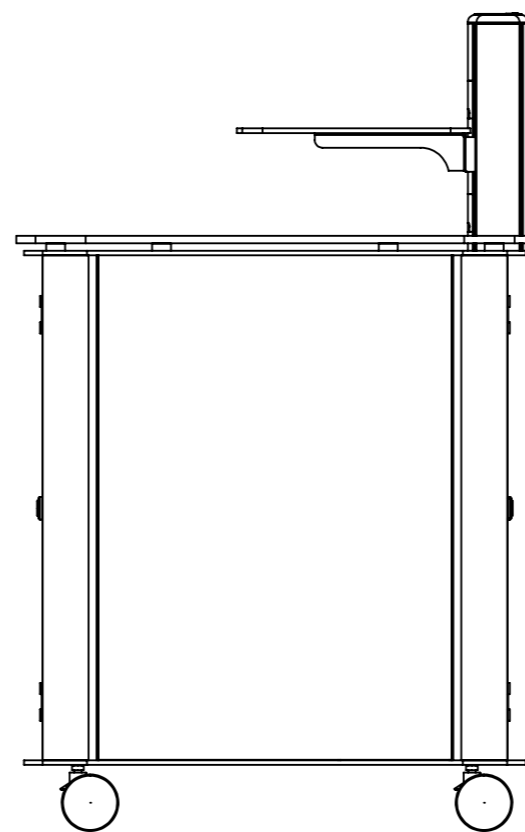
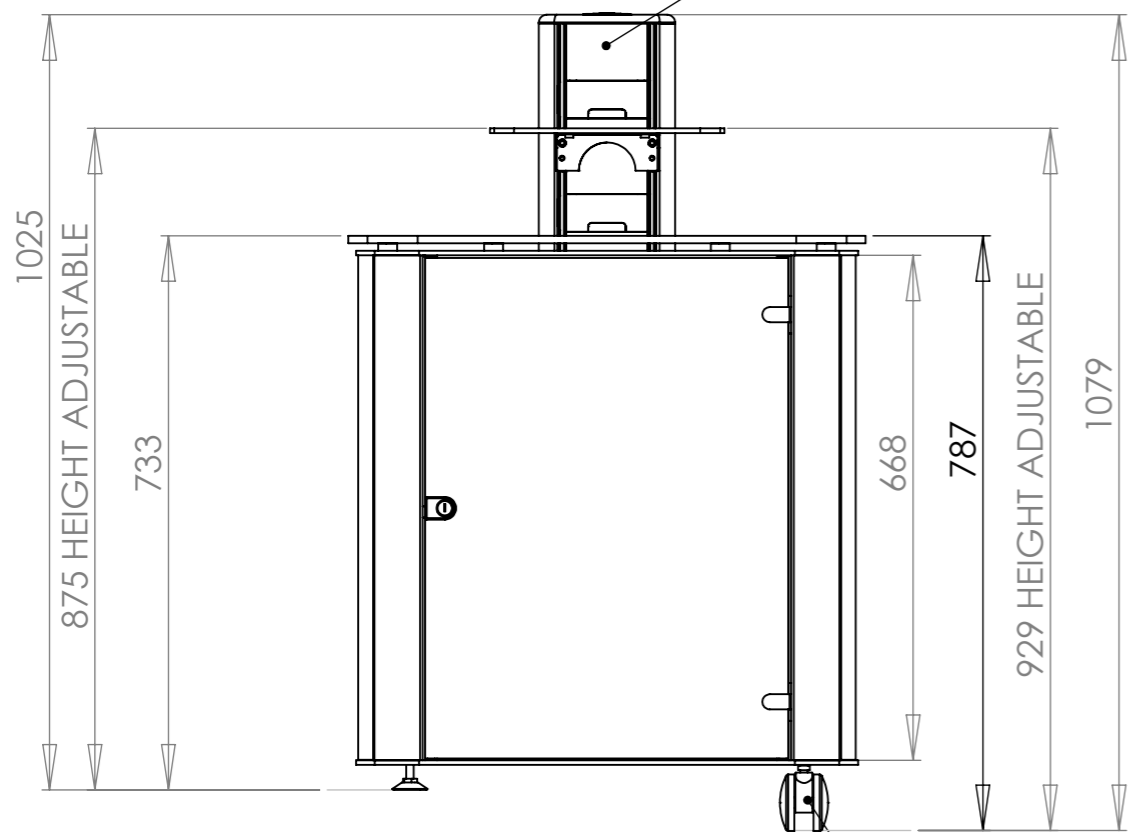


SPECIAL LENGTHS OF COLUMN AVAILABLE TO CUSTOMERS REQUIREMENTS NO COST OPTION



CAPTORS OR LEVELLING FEET

STANDARD FINISH OPTIONS

DOORS SIDES AND TOP FROSTED OR SMOKED

CORNERS AND COLUMN NATURAL ANODISED (SILVER)

OTHER FINISH OPTIONS AVAILABLE PLEASE ASK MODE-AL FOR DETAILS

DEBUR AND BREAK SHARP EDGES		Mode-AL .co.uk	
MATERIAL:	SEE DWG	UNIT 4 ANAMAX IND. PARK. OXFORD ROAD, TATLING END, BUCKS SL9 7BB TEL +44 (0)1753 880824	
FINISH:	SEE DWG	TITLE: 15 U CABINET WITH VC SHELF	
UNLESS OTHERWISE SPECIFIED: DIMENSIONS ARE IN MILLIMETERS		DWG NO.	REV
TOLERANCES:		EC15U-ES-03	A
LINEAR: X. ±1.0mm		SCALE: 1:1	SHEET 1 OF 1
X.X ±0.25 mm			A3
X.XX ±0.10 mm			
ANGULAR: X.XX ±0.1°			