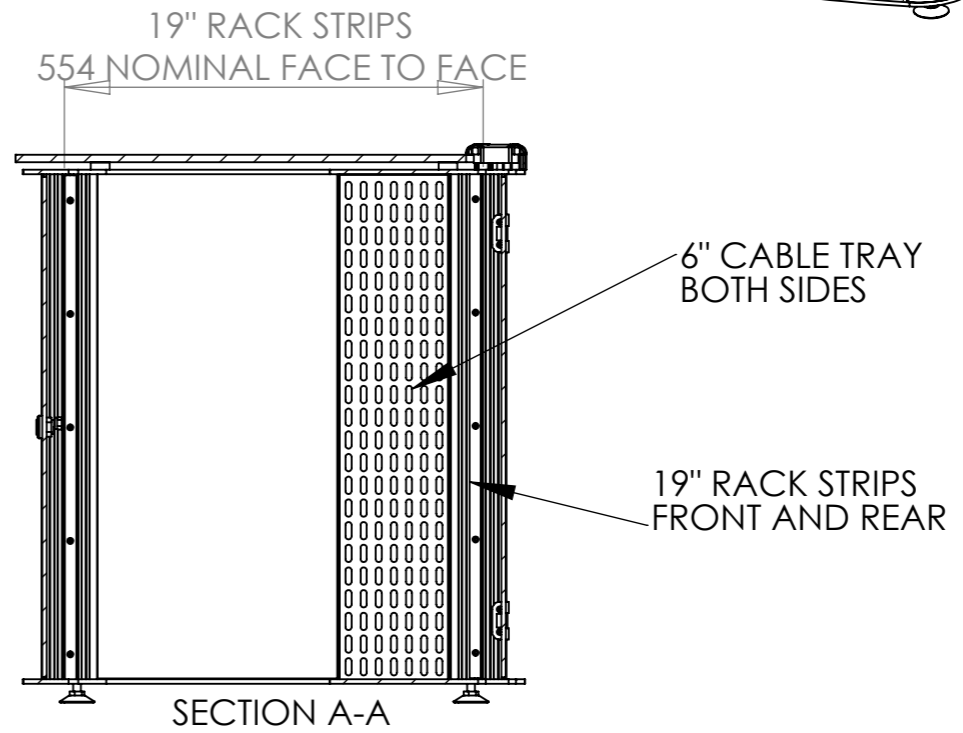
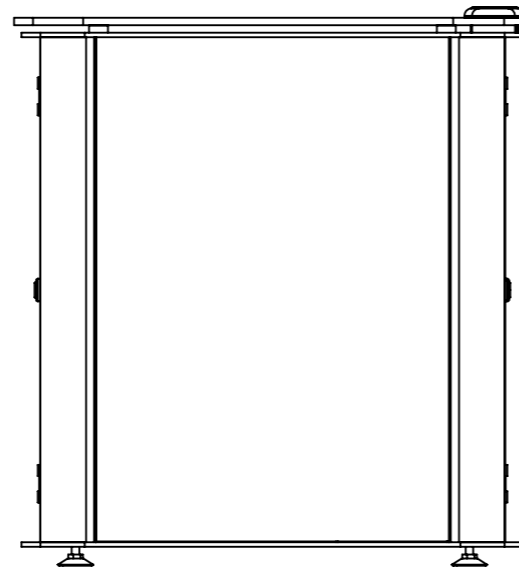


M10 LEVELING FEET
±20 MM OF ADJUSTMENT



DEBUR AND BREAK SHARP EDGES		Mode-AL.com UNIT 4 ANAMAX IND. PARK, OXFORD ROAD, TATLING END, BUCKS SL9 7BB TEL +44 (0)1753 880824
MATERIAL:	X	
FINISH:	X	TITLE: 15 U CABINET STATIC
UNLESS OTHERWISE SPECIFIED: DIMENSIONS ARE IN MILLIMETERS TOLERANCES: LINEAR: X. ±1.0mm X.X ±0.25 mm X.XX ±0.10 mm ANGULAR: X.XX ±0.1°		DWG NO. EC15DS
		REV A
SCALE: 1:1		SHEET 1 OF 1 A3