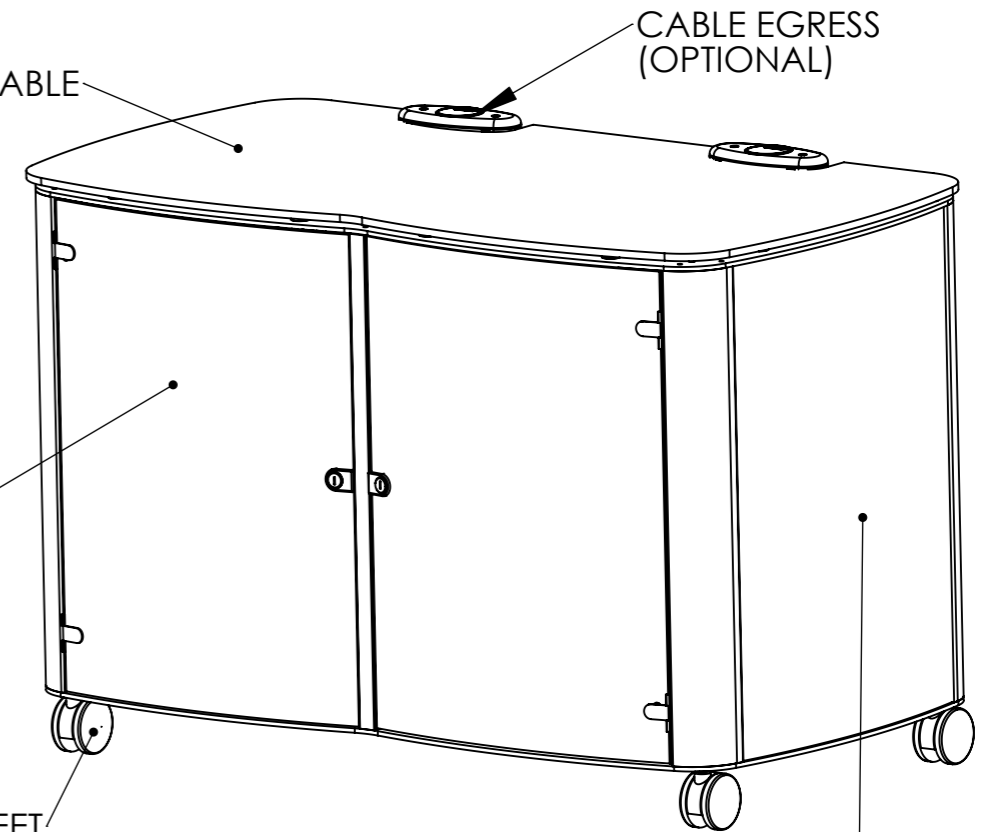


GLASS TOP  
OTHER OPTIONS AVAILABLE

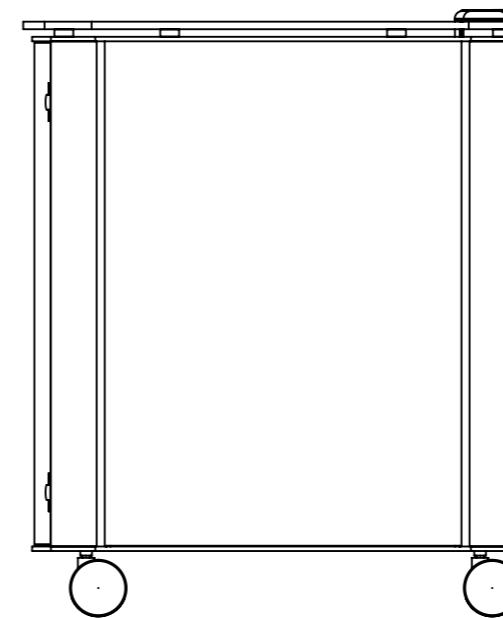
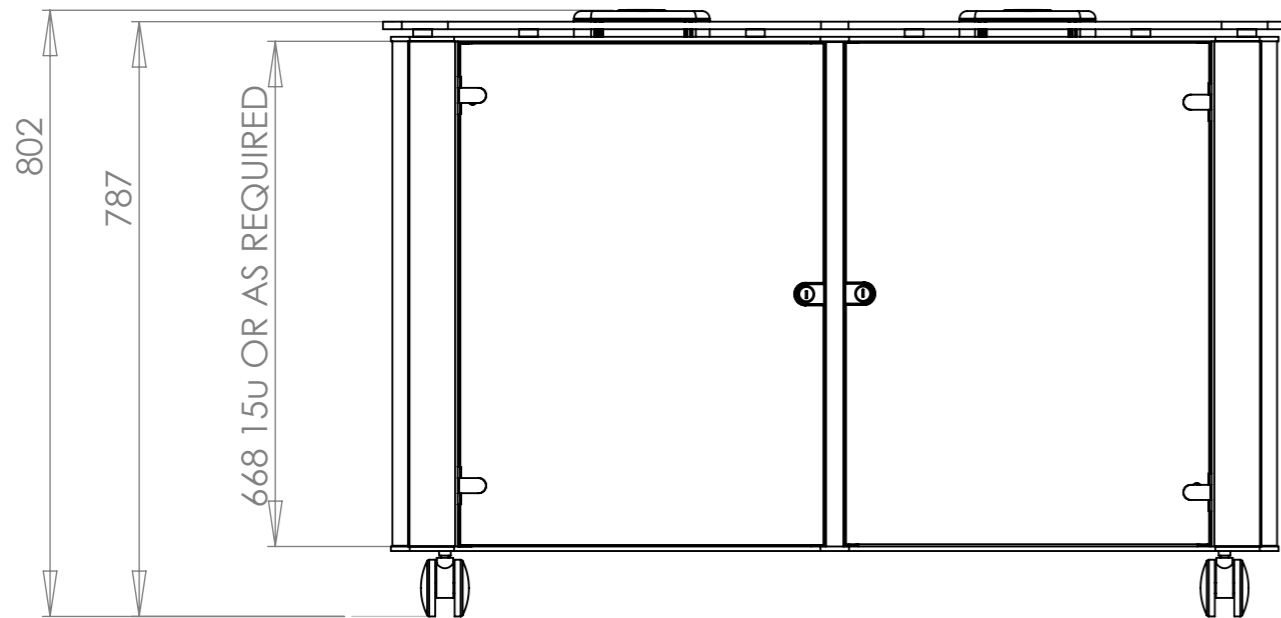
CABLE EGRESS  
(OPTIONAL)

DOORS  
FRONT AND REAR

CASTORS  
OR LEVELING FEET



REMOVABLE SIDE PANELS



NOTE:  
CABINET SIDES, DOORS AND TOP  
CAN BE FINISHED TO YOUR OWN  
SPECIFICATION  
STANDARD FINISHES ARE  
FROSTED AND SMOKED GLASS  
OPTIONAL FINISHES  
ANY WOOD VENEER OR LAMINATE  
FINISH

DEBUR AND BREAK SHARP EDGES		<b>Mode-AL .co.uk</b> UNIT 4 ANAMAX IND. PARK, OXFORD ROAD, TATLING END, BUCKS SL9 7BB TEL +44 (0)1753 880824
MATERIAL:	X	
FINISH:	X	TITLE: <b>TWIN 15 U CABINT MOBILE BASIC DIMS</b>
UNLESS OTHERWISE SPECIFIED: DIMENSIONS ARE IN MILLIMETERS TOLERANCES: LINEAR: X.     ±1.0mm X.X    ±0.25 mm X.XX ±0.10 mm ANGULAR: X.XX ±0.1°		DWG NO. <b>EC1515DS</b>
SCALE: 1:1		REV <b>A</b>
SHEET 1 OF 1		<b>A3</b>